

Singer 31-47

Form 20753
(155)
Printed in U. S. A.

HISTORICAL COPY
DO NOT REMOVE

**LIST
OF
PARTS**



SINGER**

MACHINE No. 31-47

THE SINGER MANUFACTURING COMPANY

**A Trade Mark of THE SINGER MANUFACTURING COMPANY

From the library of: Diamond Needle Corp

INSTRUCTIONS FOR OILING

To ensure easy running and prevent unnecessary wear of the parts which are in movable contact, the machine requires oiling, and when in continuous use, "TYPE B" or "TYPE D" OIL, sold by Singer Sewing Machine Company, should be applied at least twice each day to all oil holes marked "OIL", as instructed in Form 20109.

"TYPE D" OIL should be used when an oil is desired which will produce a minimum of stain on fabrics, even after a long period of storage.

INDEX

	Page
Attachments and Accessories	12
Belt Guards	12
Bobbin Winders	12
Finger Guards	14
Foot Lifter Parts	15
Knee Lifter Parts	15
Machine Base	16
Machine No. 31-47	7
Numerical List of Parts	17
Thread Unwinder	16

INSTRUCTIONS FOR ORDERING

In ordering from this list, use **ONLY** the part NUMBER in the **FIRST** column.

The number stamped on a Sewing Machine Part is in every case the number of the single part only.

Every combination of parts sent out as such has its specific number, which, although not stamped on the parts, must be used when ordering the combination.

Each number always indicates the **SAME PART** in whatever list it appears, or for whatever machine.

The letters after some of the numbers indicate the style of finish only, as follows:

- A—Hardened, Polished, Nickel Plated and Buffed
- A.A—Buffed and Chromium Plated
- A.B—Hardened, Polished, Buffed and Chromium Plated
- A.C—Brown Baking Enamel Finish
- A.D—Gray Baking Enamel Finish
- A.E—Hardened, Bright Rumbled and Nickel Plated
- A.F—Hardened, Bright Rumbled, Nickel Plated, Bright Rumbled and Chromium Plated
- A.G—Alumilite, Plain
- A.H—Alumilite, Dyed
- A.J—Polished, Nickel Plated and Chromium Plated
- A.K—Hardened, Polished, Nickel Plated and Chromium Plated
- A.L—Heat Treated for Toughness
 - B—Polished, Nickel Plated and Buffed
 - C—Hardened Only
- C.R—Hardened and Merlized
 - D—Polished Only
 - E—Soft, Not Polished
 - F—Hardened and Polished
- F.J—Hardened, Polished and Nickel Plated
 - G—Bright Rumbled and Nickel Plated
- H—Blued
- J—Nickel Plated Only
- K—Hardened and Nickel Plated
- L—Brass Plated
- M—Oxidized
- N—Japanned, Dull
- P—Japanned, Bright
- P.P—Wrinkle Finish
- R—Merlized
- S—Cadmium Plated
- T—Copper Plated
 - T.A—Hardened, Polished, Copper and Nickel Plated and Buffed
 - T.B—Copper and Nickel Plated and Polished
 - T.J—Copper and Nickel Plated Only
 - T.K—Hardened, Copper and Nickel Plated
 - T.L—Copper and Brass Plated
 - T.M—Copper Plated and Oxidized

INSTRUCTIONS FOR ORDERING—Continued

- U—Zinc Plated
 - V—Silver Plated
 - W—Polished and Nickel Plated
 - X—Black Oxide, for Iron and Steel
 - X.C—Hardened and Black Oxide, for Iron or Steel
 - Y—Black Nickel Plated Only
 - Z—Chromium Plated
 - Z.A—Hardened, Polished, Nickel Plated, Buffed and Chromium Plated
 - Z.B—Polished, Nickel Plated, Buffed and Chromium Plated
 - Z.C—Hardened and Chromium Plated
 - Z.D—Polished and Chromium Plated
 - Z.G—Bright Rumbled, Nickel Plated, Bright Rumbled and Chromium Plated
 - Z.J—Nickel and Chromium Plated
 - Z.T—Copper and Chromium Plated
- These letters **MUST BE USED** when they appear in the list; and **AFTER** the number as in the list.

In this series:

1 to 1500, 50001 to 51500 and 140001 to 142000 are Screw Numbers

1501 to 1800 and 51501 to 51800 are Nut Numbers

1801 to 2000 and 51801 to 52000 are Roller Numbers

2001 to 50000 and 52001 to 140000 and 142001 to 190000 are Sewing Machine Parts, 190001 and upward are numbers of Electrical Parts.

The figures in the second column refer only to the plates, illustrating the parts, and are **NOT TO BE USED** in ordering.

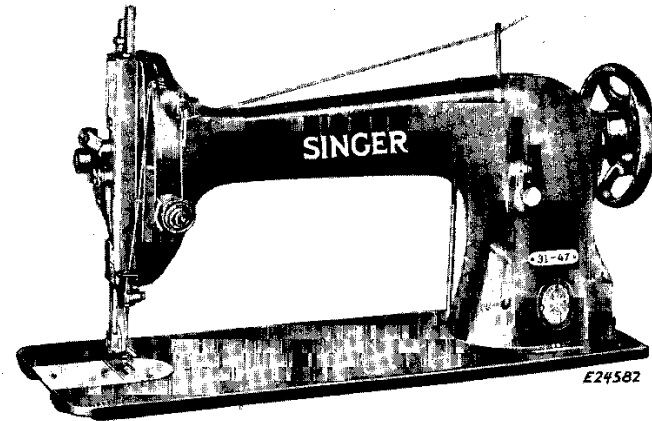
Parts marked with an asterisk (*) are furnished only when repairs are made at factory.

SINGER Needles should be used
in **SINGER** Machines
These Needles and their Containers
are marked with the
Company's Trade Mark "SIMANCO.*" 1

Needles in Containers marked
"FOR SINGER MACHINES"
are **NOT SINGER** made needles. 2

LIST OF PARTS COMPLETE

FOR



MACHINE No. 31-47

FOR MEDIUM AND HEAVY COATED FABRICS, PLAIN CLOTH AND LEATHER. HIGH LIFT. CLEARANCE UNDER PRESSER FOOT 3/8". MAXIMUM STITCH LENGTH 5-1/3 TO THE INCH. ALTERNATING PRESSERS. SPEED 2000, DEPENDING ON MATERIALS USED AND OPERATIONS PERFORMED.

SINGER Needles should be used in SINGER Machines. These Needles and their Containers are marked with the Company's Trade Mark "SIMANCO.**" 1

Needles in Containers marked "FOR SINGER MACHINES" are NOT SINGER made needles. 2

No.	Plate	Name
*20339		Arm with 11104.....
8582	22119	Arm Dowel Pin (2).....
12453	22119	Arm Oil Tube for intermediate bearing.....
11119	22119	Arm Oil Tube (front of arm) with 52045, for oiling 12408 and 19365.....
12454	22119	Arm Oil Tube with 132590, for oiling 12409.....
24131	22119	Arm Oil Tube with 52045, for oiling 20283.....
132590	22119	Arm Oil Tube Oil Pad (wick) for 12454.....
52045	22119	Arm Oil Tube Packing (braided cotton) (2).....
748E	22119	Arm Screw (back) (2).....
854E	22119	Arm Screw (front) (2).....
12427	22120	Arm Shaft.....
44121		Arm Shaft 12427 with 20283, 62637 and 127152.....
44195		Arm Shaft 44121 with 20197.....
11104	22120	Arm Shaft Bushing (front).....
12357	22120	Arm Shaft Flanged Bushing (back).....
448AL	22120	Arm Shaft Flanged Bushing (back) Set Screw.....
144D	22120	Arm Shaft Screw.....
12193	22119	Arm Side Cover.....
51224W	22119	Arm Side Cover Thumb Screw.....
52239	22119	Arm Spool Pin and Thread Eyelet.....
8879	22119	Arm Spool Pin Washer (cloth).....
*12360		Bed.....
256J	22120	Clamp Stop Motion Clamp Screw.....
248A	22120	Clamp Stop Motion Clamp Stop Screw.....
2020	22120	Clamp Stop Motion Clamp Washer.....
3023		Clamp Stop Motion Flanged Bushing.....
4933	22120	Clamp Stop Motion Flanged Bushing 3023 with two 462AL.....

No.	Plate	Name
2022		Clamp Stop Motion Flanged Bushing Pin.....
462AL	22120	Clamp Stop Motion Flanged Bushing Set Screw (2).....
3022	22120	Clamp Stop Motion complete, Nos. 248A, 256J, 2020 and 4933.....
		NOTE: No. 3022 is furnished only when specified on order.
20197	22120	Crank Connecting Rod with 125044 and two 896AL.....
896AL	22120	Crank Connecting Rod Cap Screw (2).....
908C	22120	Crank Connecting Rod Hinge Screw.....
1619E	22120	Crank Connecting Rod Hinge Screw Nut.....
125044	22120	Crank Connecting Rod Oil Pad (felt).....
19354	22119	Face Plate.....
44181	22119	Face Plate Thread Guard (lower).....
12150		Face Plate Thread Guard (lower) 44181 with 12152.....
12152	22119	Face Plate Thread Guard (lower) Rivet.....
45874	22119	Face Plate Thread Guard (upper).....
139615		Face Plate Thread Guard (upper) 45874 with 125424.....
125424	22119	Face Plate Thread Guard (upper) Rivet.....
19355	22119	Face Plate complete, Nos. 12150, 19354 and 139615.....
219J	22119	Face Plate Screw (2).....
12368	22121	Feed Bar.....
313C	22121	Feed Bar Screw Center (2).....
56813		Feed Bar Screw Center 313C with 1519J (2).....
1519J	22121	Feed Bar Screw Center Nut (2).....
52165	22120	Feed Connecting Link.....
375C	22120	Feed Connecting Link Hinge Screw (2).....
1518J	22120	Feed Connecting Link Hinge Screw Nut (2).....
12481	22122	Feed Dog, 18 teeth (16 teeth to the inch).....
208AL	22122	Feed Dog Screw (2).....
20283	22120	Feed and Feed Lifting Eccentric with 446AL.....
446AL	22120	Feed and Feed Lifting Eccentric Set Screw.....
127152	22120	Feed and Feed Lifting Eccentric Sleeve.....
20284	22120	Feed Forked Connection.....
375C	22120	Feed Forked Connection Hinge Screw.....
1518J	22120	Feed Forked Connection Hinge Screw Nut.....
43993		Feed Forked Connection complete, Nos. 20284, 52165, 56886 and two each 375C and 1518J.....
44125	22121	Feed Lifting Rock Shaft.....
44126		Feed Lifting Rock Shaft complete, Nos. 12376 and 44125.....
12376	22121	Feed Lifting Rock Shaft Crank with 157J and 1813.....
157J	22121	Feed Lifting Rock Shaft Crank Clamping Screw.....
43976	22120	Feed Lifting Rock Shaft Crank Connecting Rod with 125044 and two 966E.....
	22120	Feed Lifting Rock Shaft Crank Connecting Rod Cap Screw (2).....
375C	22120	Feed Lifting Rock Shaft Crank Connecting Rod Hinge Screw.....
1518J	22120	Feed Lifting Rock Shaft Crank Connecting Rod Hinge Screw Nut.....
125044	22120	Feed Lifting Rock Shaft Crank Connecting Rod Oil Pad (felt).....
1813	22121	Feed Lifting Rock Shaft Crank Roller and Stud.....
307C	22121	Feed Lifting Rock Shaft Screw Center (2).....
56814		Feed Lifting Rock Shaft Screw Center 307C with 1513J (2).....
1513J	22121	Feed Lifting Rock Shaft Screw Center Nut (2).....
3039	22120	Feed Regulator.....
56886		Feed Regulator 3039 with 818W.....
140139E	22120	Feed Regulator Hinge Screw.....
139603	22120	Feed Regulator Hinge Screw Friction Washer.....
818W	22120	Feed Regulator Thumb Screw.....
12379	22121	Feed Rock Shaft.....
29633	22121	Feed Rock Shaft Crank with 157R.....
157R	22121	Feed Rock Shaft Crank Clamping Screw.....
20333		Feed Rock Shaft complete, Nos. 12379 and 29633.....

No.	Plate	Name
307C	22121	Feed Rock Shaft Screw Center (2).....
56814		Feed Rock Shaft Screw Center 307C with 1513J (2).....
1513J	22121	Feed Rock Shaft Screw Center Nut (2).....
25866	22122	Guide.....
284D	22122	Guide Screw.....
12391	22123	Lifting Presser Bar (hollow).....
19356	22123	Lifting Presser Bar Bell Crank.....
19357	22123	Lifting Presser Bar Bell Crank Connecting Link.....
199J	22123	Lifting Presser Bar Bell Crank Connecting Link Cap Screw (2).....
19358	22123	Lifting Presser Bar Bell Crank Driving Arm.....
19362	22120	Lifting Presser Bar Bell Crank Driving Arm Eccentric Connection.....
		Lifting Presser Bar Bell Crank Driving Arm Eccentric Connection 19362 with 19365.....
62637		Lifting Presser Bar Bell Crank Driving Arm Eccentric Connection Hinge Screw.....
375C	22120	Lifting Presser Bar Bell Crank Driving Arm Eccentric Connection Hinge Screw Nut.....
1518J	22120	Lifting Presser Bar Bell Crank Driving Arm Pin.....
2049	22123	Lifting Presser Bar Bell Crank Driving Arm Shaft.....
19359	22123	Lifting Presser Bar Bell Crank Driving Arm Shaft Bracket.....
19360	22123	Lifting Presser Bar Bell Crank Driving Arm Shaft Bracket complete, Nos. 2049, 19358, 19359 and 19360.....
19361		Lifting Presser Bar Bell Crank Driving Arm Shaft Bracket complete, Nos. 2049, 19358, 19359 and 19360.....
	22123	Lifting Presser Bar Bell Crank Driving Arm Shaft Bracket Screw.....
965D	22123	Lifting Presser Bar Guide Bracket with 453AL.....
24589	22123	Lifting Presser Bar Guide Bracket Cap Screw.....
199J	22123	Lifting Presser Bar Guide Bracket complete, Nos. 19356, 19357, 24589, 44270 and three 199J.....
44268		Lifting Presser Bar Guide Bracket Set Screw.....
453AL	22123	Lifting Presser Bar Guide Bracket Support.....
24590	22123	Lifting Presser Bar Guide Bracket Support Screw (2).....
175D	22123	Lifting Presser Bar Lifter.....
4855	22123	Lifting Presser Bar Lifter Screw.....
689C	22123	Lifting Presser Bar Lifter Screw Nut.....
1520J	22123	Lifting Presser Bar Lifting and Releasing Lever Bracket.....
12327	22123	Lifting Presser Bar Spring (light) .051 wire.....
11167	22123	Lifting Presser Bar Spring (medium) .055 wire.....
		NOTE: No. 11167 is sent with this machine unless another Spring is specified on order.
12139		Lifting Presser Bar Spring (heavy) .063 wire.....
20023		Lifting Presser Bar Spring Washer.....
11170	22123	Lifting Presser Foot.....
44269	22122	Lifting Presser Foot Screw.....
193D	22122	Lifting Presser Foot Screw.....
139631	22120	Machine Pulley (power) light rim, "V" belt groove (outside diam. of belt groove 2.9 in.) with two 140713AL.....
		NOTE: 139631 is regularly furnished with machine.
56898		Machine Pulley (stand) heavy rim, "V" belt groove (outside diam. of belt groove 2.9 in.) with two 435AL.....
2135		Machine Pulley (stand) heavy rim, 2-1/2 in. pulley, for use with 3022.....
2862		Machine Pulley (stand) heavy rim, 3 in. pulley, for use with 3022.....
435AL		Machine Pulley Set Screw for 56898 (2).....
140713AL	22120	Machine Pulley Set Screw for 139631 (2).....
19229	22124	Needle Bar (hollow).....
12382	22124	Needle Bar Connecting Link with 794E.....
43997		Needle Bar Connecting Link 12382 with 12384.....
794E	22124	Needle Bar Connecting Link Adjusting Screw.....
1904	22124	Needle Bar Connecting Stud Roller (roller only).....
453AL	22124	Needle Bar Connecting Stud Set Screw.....
12384	22124	Needle Bar Connecting Stud complete, Nos. 453AL and 1904.....

No.	Plate	Name
19365	22120	Needle Bar Crank and Lifting Eccentric with 448AL and 743AL.....
743AL	22120	Needle Bar Crank and Lifting Eccentric Position Screw.....
448AL	22120	Needle Bar Crank and Lifting Eccentric Set Screw.....
936E	22124	Needle Bar Screw Bushing (2).....
4803	22124	Needle Clamp complete, Nos. 651D, 4802, 13112 and 51323AL.....
13112	22124	Needle Clamp Body.....
51323AL	22124	Needle Clamp Screw.....
4802	22124	Needle Clamp Thread Guide.....
651D	22124	Needle Clamp Thread Guide Screw.....
24104	22120	Oscillating Rock Shaft.....
24105	22120	Oscillating Rock Shaft complete, Nos. 4784, 12388 and 24104.....
12388	22120	Oscillating Rock Shaft Hinge Pin.....
448AL	22120	Oscillating Rock Shaft Hinge Pin Set Screw.....
4784	Oscillating Rock Shaft Oil Pad.....
12389	22121	Oscillating Shaft.....
44134	22121	Oscillating Shaft Crank.....
453AL	22121	Oscillating Shaft Crank Set Screw (2).....
19448	22121	Oscillating Shaft Crank Slide Block.....
226J	22121	Oscillating Shaft Crank Slide Block Cap Screw.....
12424	22121	Oscillating Shaft Crank Slide Block Cap Screw Washer.....
988C	22121	Oscillating Shaft Crank Slide Block Screw Stud.....
1518E	22121	Oscillating Shaft Crank Slide Block Screw Stud Nut.....
19449	Oscillating Shaft Crank Slide Block complete, Nos. 226J, 988C, 12424 and 19448.....
44135	Oscillating Shaft Crank complete, Nos. 1518E, 19449, 44134 and two 453AL.....
688J	22123	Pressure Regulating Thumb Screw.....
2996	22125	Shuttle Bobbin (6).....
15140	22125	Shuttle Bobbin Case Latch.....
2973	22125	Shuttle Bobbin Case Latch Lever.....
2974	22125	Shuttle Bobbin Case Latch Lever Fulcrum Pin.....
2975	22125	Shuttle Bobbin Case Latch Spring.....
592E	22125	Shuttle Bobbin Case Latch Stop Screw.....
15141	Shuttle Bobbin Case Hinge, Nos. 2973, 2974 and 15140.....
24412	22125	Shuttle Bobbin Case Position Plate.....
391J	22125	Shuttle Bobbin Case Position Plate Screw (2).....
62740	22125	Shuttle Bobbin Case Nos. 592E, 2975 and 15141.....
12393	22125	Shuttle Body.....
591F	22125	Shuttle Tension Regulating Screw.....
15278	22125	Shuttle Tension Spring.....
19292	22125	Shuttle 1 11/16 in. diam., Nos. 2996, 12393 and 62740.....
12394	Shuttle Driver.....
12444	22121	Shuttle Driver 12394 with two 1266AL.....
1266AL	22121	Shuttle Driver Set Screw (2).....
2531	22125	Shuttle Race Back.....
2532	22125	Shuttle Race Back Position Pin (2).....
2533	22125	Shuttle Race Back Spring.....
907D	22125	Shuttle Race Back Spring Screw.....
24413	22125	Shuttle Race Body.....
62502	Shuttle Race Body 24413 with 24418 and two 1053E.....
62517	Shuttle Race Body 62502 with two 2532.....
24418	22125	Shuttle Race Cap.....
1053E	22125	Shuttle Race Cap Screw (2).....
24419	22125	Shuttle Race complete, Nos. 907D, 2531, 2533, 24412, 62517 and two 391J.....
145E	22125	Shuttle Race Screw (2).....
12431	22119	Shuttle Race Slide.....
4307	22119	Shuttle Race Slide Spring.....
725J	22119	Shuttle Race Slide Spring Screw (2).....
12432	22119	Shuttle Race Slide complete, Nos. 4307, 12431 and two 725J.....

No.	Plate	Name
2102	22126	Tension Disc (2).....
1560C	22126	Tension Regulating Thumb Nut.....
32572	22126	Tension Releasing Disc.....
43944	22126	Tension Releasing Lever.....
12398	22126	Tension Releasing Lever Hinge Pin.....
12329	22126	Tension Releasing Lever Spring.....
32574	22126	Tension Releasing Pin.....
50327C	22126	Tension Screw Stud.....
44141	Tension Screw Stud 50327C with 1560C.....
43945	22126	Tension Spring.....
12149	22126	Tension Thread Guard.....
44118	22126	Tension complete, Nos. 7336, 32572, 32574, 43945, 43946, 44141 and two 2102.....
52454	22126	Thread Retainer.....
624AL	22126	Thread Retainer Set Screw.....
12404	22124	Thread Take-up Crank.....
3094	22120	Thread Take-up Crank Wedge.....
690E	22120	Thread Take-up Crank Wedge Screw.....
12408	22124	Thread Take-up Lever.....
775E	22124	Thread Take-up Lever Cap Screw.....
12166	22124	Thread Take-up Lever Hinge Pin.....
12409	22124	Thread Take-up Lever Link.....
11204	22124	Thread Take-up Lever Link Hinge Pin.....
435AL	22124	Thread Take-up Lever Link Hinge Pin Set Screw.....
12410	Thread Take-up Lever complete, Nos. 12166, 12408 and 12409.....
43946	22126	Thread Take-up Spring.....
7336	22126	Thread Take-up Spring Regulator.....
448AL	22126	Thread Take-up Spring Regulator Set Screw.....
43990	Thread Take-up complete, Nos. 775E, 11204, 12404, 12410 and 43997.....
12482	22122	Throat Plate, large needle hole, for 12481.....
12483	22122	Throat Plate, small needle hole, for 12481.....
691AL	22122	Throat Plate, Screw (2).....
44270	22123	Vibrating Presser Bar.....
19367	22123	Vibrating Presser Bar Cap.....
219J	22123	Vibrating Presser Bar Cap Screw for 19367.....
199J	22123	Vibrating Presser Bar Cap Screw for 44270.....
19368	22123	Vibrating Presser Bar Cushion (rawhide).....
19369	22123	Vibrating Presser Bar Spring.....
335J	22123	Vibrating Presser Bar Spring Screw.....
19370	22122	Vibrating Presser Foot.....
217J	22122	Vibrating Presser Foot Screw.....
139637	Drip Pan with four 1 in. wire nails, for power table.....

ATTACHMENTS AND ACCESSORIES

No.	Plate	Name
12361	22127	Machine Hinge Connection (2)
41400	22127	Machine Rest Pin (wood) 3-1/8 in. long
120342	22127	Oiler (copper plated) with 120343
120343	22127	Oiler Spout, 3-1/2 in. long
26026	22127	Screw Driver (machine)
26485	22127	Screw Driver (shuttle tension)

BELT GUARDS

BELT GUARD

41929	22343	Belt Guard
8418	22343	Belt Guard Button
8419	22343	Belt Guard Button Washer (leather)
8420		Belt Guard Button 8418 with 8419 and wood screw 1-1/4 in. No. 9 R.H.B.
41930	22343	Belt Guard Hinge (2)
41931	22343	Belt Guard complete, Nos. 8420, 41929, two 41930 and four wood screws 3/4 in. No. 9

BELT GUARD

FOR BENCH STANDS

126356	22332	Belt Guard
126363	22332	Belt Guard Bracket
126364	22332	Belt Guard Extension
162D	22332	Belt Guard Extension Screw
9331	22332	Belt Guard Extension Screw Washer
1480D	22332	Belt Guard Retaining Screw
50551J	22332	Belt Guard Set Screw
126365	22332	Belt Guard (adjustable) complete, Nos. 162D, 1480D, 9331, 50551J, 126356, 126363, 126364 and two wood screws 1 in. No. 10

BOBBIN WINDERS

BOBBIN WINDER

(SWINGING AUTOMATIC, RIGHT HAND)

27540	24053	Base
15072	24053	Bobbin Position Pin
27302	24053	Frame
50356D	24053	Frame Hinge Screw
1620J	24053	Frame Hinge Screw Nut
27303		Frame Spring
27541	24053	Pulley
27538	24053	Spindle Collar with 15072 and 41828
41828	24053	Spindle Collar Pin
27306	24053	Spool Pin
11241	24053	Spool Pin Washer (cloth)

No.	Plate
27307	24053
27308	24053
27312	24053
35D	24053
2455	24053
1562J	24053
418E	24053
10141	24053
2106	24053
27647	24053

27544	24053
-------	-------

259428	23253
259429	23253
200113F	23253
259662	23253
225453	23253
225454	23253
202277	23253
259660	23253
225455	23253
225456	23253
259461	23253
200380C	23253
225381	23253
225444	23253
200056E	23253
225458	23253
225459	23253
225459	23253
202478	23253
200299B	23253
225461	23253
200082D	23253
228026	23253
2102	23253
13710	23253
201499B	23253
201572B	23253
225462	23253
259462	23253

BOBBIN WINDERS

No.	Plate	Name
		Spool Stand
		Spool Stand complete, Nos. 418E, 1562J, 2106, 10141, 11241, 27306, 27307 and two each 2455 and wood screws 1 in. No. 10
		Stop Latch
		Stop Latch Hinge Screw
		Tension Disc (2)
		Tension Regulating Thumb Nut
		Tension Screw Stud
		Tension Spring
		Tension Thread Guide
		Bobbin Winder, Nos. 35D, 1620J, 27302, 27303, 27312, 27538, 27540, 27541, 50356D and two wood screws 1 in. No. 7
		Bobbin Winder (swinging automatic, right hand) complete, Nos. 27308 and 27647

BOBBIN WINDER

(SWINGING AUTOMATIC RIGHT HAND)

FOR POWER TABLE

FOR "V" BELT DRIVE

		Brake (leather)
		Brake Clamp
		Brake Clamp Screw
		Bobbin Winder and Tension Bracket Base
		Frame with 202277 and 259660
		Frame Hinge Pin
		Frame Oil Packing (wick)
		Frame Oil Well Washer
		Frame Spring
		Frame Spring Plunger
		Pulley with 200380C
		Pulley Set Screw
		Spindle
		Stop Latch
		Stop Latch Screw
		Stop Latch Thumb Lever
		Stop Latch Thumb Lever Hinge Stud
		Stop Latch Thumb Lever Joint Stud
		Stop Latch Trip Lever
		Stop Latch Trip Lever Hinge Screw
		Tension Bracket with 201499B
		Tension Bracket Screw
		Tension Bracket Screw Washer
		Tension Disc (2)
		Tension Spring
		Tension Stud
		Tension Stud Thumb Nut
		Tension Bracket complete, Nos. 13710, 201572B, 225461 and two 2102
		Bobbin Winder complete, for "V" belt, Nos. 200056E, 200082D, 200113F, 200299B, 202478, 225381, 225444, 225453, 225454, 225455, 225456, 225458, 225462, 228026, 259428, 259429, 259461, 259662 and two each 225459 and wood screws 3/4 in. No. 12 R.H.

BOBBIN WINDER
(FOR ROUND BELT)

No.	Plate	Name
259428	23253	Brake (leather).....
259429	23253	Brake Clamp.....
200113F	23253	Brake Clamp Screw.....
259430	23253	Bobbin Winder and Tension Bracket Base.....
225453	23253	Frame with 202277 and 259660.....
225454	23253	Frame Hinge Pin.....
202277	23253	Frame Oil Packing (wick).....
259660	23253	Frame Oil Well Washer.....
225455	23253	Frame Spring.....
225456	23253	Frame Spring Plunger.....
225368	23253	Pulley with 200380C.....
200380C	23253	Pulley Set Screw.....
225381	23253	Spindle.....
225444	23253	Stop Latch.....
200056E	23253	Stop Latch Screw.....
225458	23253	Stop Latch Thumb Lever.....
225459	23253	Stop Latch Thumb Lever Hinge Stud.....
225459	23253	Stop Latch Thumb Lever Joint Stud.....
202478	23253	Stop Latch Trip Lever.....
200299B	23253	Stop Latch Trip Lever Hinge Screw.....
225461	23253	Tension Bracket with 201499B.....
200082D	23253	Tension Bracket Screw.....
228026	23253	Tension Bracket Screw Washer.....
2102	23253	Tension Disc (2).....
13710	23253	Tension Spring.....
201499B	23253	Tension Stud.....
201572B	23253	Tension Stud Thumb Nut.....
225462	23253	Bobbin Winder Tension Bracket complete, Nos. 13710, 201572B, 225461 and two 2102.....
259431	23253	Bobbin Winder complete, Nos. 200056E, 200082D, 200113F, 200299B, 202478, 225368, 225381, 225444, 225453, 225454, 225455, 225456, 225458, 225462, 228026, 259428, 259429, 259430 and two each 225459 and wood screws 3/4 in. No. 12 R.H.B.....

FINGER GUARDS

36818	22129	Finger Guard.....
36819	22129	Finger Guard Friction Washer.....
50316J	22129	Finger Guard Hinge Screw.....
36820	22129	Finger Guard Holder with 196J.....
196J	22129	Finger Guard Holder Clamping Screw.....
36821	22129	Finger Guard (metal) complete, Nos. 36818, 36819, 36820 and 50316J.....
120496	Finger Guard.....
120497	Finger Guard Holder with 50302J.....
50302J	Finger Guard Holder Set Screw.....
236J	Finger Guard Screw.....
120498	Finger Guard (metal) complete, Nos. 236J, 120496 and 120497.....
120857	22129	Finger Guard.....
120858	22129	Finger Guard Holder with 50302J.....
50302J	22129	Finger Guard Holder Set Screw.....
236J	22129	Finger Guard Screw (2).....
120860	22129	Finger Guard (wire) complete, Nos. 120857, 120858 and two 236J.....

FOOT LIFTER PARTS

No.	Plate	Name
5596	22121	Bell Crank.....
56848	Bell Crank 5596 with 5599 and 5601.....
5599	22121	Bell Crank Bracket.....
178E	22121	Bell Crank Bracket Screw (2).....
5601	22121	Bell Crank Hinge Pin.....
5735	22121	Bell Crank Spring.....
5598	Bell Crank complete, Nos. 5735 and 56848.....
5670	22909	Chain, length 26 in. to 35 in., with 56864 and 56865.....
4879	22909	Chain Connecting Link.....
56864	22909	Chain Hook (large).....
56865	22909	Chain Hook (small).....
20340	22121	Lifting Lever with 448AL.....
12415	22121	Lifting Lever Connecting Rod.....
12416	22121	Lifting Lever Connecting Rod Joint.....
76D	22121	Lifting Lever Connecting Rod Joint Hinge Screw.....
1521J	22121	Lifting Lever Connecting Rod Lock Nut.....
802D	22121	Lifting Lever Hinge Screw.....
12241	22123	Lifting Lever Link.....
766E	22123	Lifting Lever Link Hinge Screw.....
12240	22121	Lifting Lever Pin.....
448AL	22121	Lifting Lever Pin Set Screw.....
2763	22909	Rock Shaft.....
12242	22909	Rock Shaft Hanger with two wood screws 1 in. No. 10 F.H. (2).....
6337	22909	Rock Shaft Lifting Bracket with two 356C (2).....
12243	22909	Rock Shaft Lifting Bracket Hook for 5598.....
7125	22909	Rock Shaft Lifting Bracket Hook for 5670.....
356C	22909	Rock Shaft Lifting Bracket Hook Set Screw (2).....
356C	22909	Rock Shaft Lifting Bracket Set Screw (2).....
2770	22909	Rock Shaft Stop Dog with 140219C.....
140219C	22909	Rock Shaft Stop Dog Set Screw.....
4880	22909	Rock Shaft complete, Nos. 2763, 2770, 7125, 12243 and two each 6337 and 12242.....
4881	22909	Treadle.....
4882	22909	Treadle Shaft.....
4883	22909	Treadle Spring.....
4884	22909	Treadle Stand.....
4885	22909	Treadle complete, Nos. 4879, 4881, 4882, 4883, 4884 and two wood screws 1 in. No. 16.....

KNEE LIFTER PARTS

5596	22121	Bell Crank.....
56848	Bell Crank 5596 with 5599 and 5601.....
5599	22121	Bell Crank Bracket.....
178E	22121	Bell Crank Bracket Screw (2).....
5601	22121	Bell Crank Hinge Pin.....
5735	22121	Bell Crank Spring.....
5598	Bell Crank complete, Nos. 5735 and 56848.....
20340	22121	Lifting Lever with 448AL.....
12415	22121	Lifting Lever Connecting Rod.....
12416	22121	Lifting Lever Connecting Rod Joint.....
76D	22121	Lifting Lever Connecting Rod Joint Hinge Screw.....
1521J	22121	Lifting Lever Connecting Rod Lock Nut.....
802D	22121	Lifting Lever Hinge Screw.....
12241	22123	Lifting Lever Link.....
766E	22123	Lifting Lever Link Hinge Screw.....
12240	22121	Lifting Lever Pin.....
448AL	22121	Lifting Lever Pin Set Screw.....

KNEE LIFTER PARTS

No.	Plate	Name
2763	22128	Rock Shaft.....
139633	Rock Shaft 2763 with 2770, 6337 and 139623.....
7539	22128	Rock Shaft Hanger with two wood screws 1 in. No. 10 F.H. (2).....
2765	22128	Rock Shaft Knee Arm with 1509E.....
2766	22128	Rock Shaft Knee Arm Hub with 356C.....
356C	22128	Rock Shaft Knee Arm Hub Set Screw.....
1509E	22128	Rock Shaft Knee Arm Lock Nut.....
2768	Rock Shaft Knee Arm complete, Nos. 2765, 2766 and 2767.....
2767	22128	Rock Shaft Knee Plate with 356C.....
356C	22128	Rock Shaft Knee Plate Set Screw.....
6337	22128	Rock Shaft Lifting Bracket with two 356C.....
139623	22128	Rock Shaft Lifting Bracket Hook.....
356C	22128	Rock Shaft Lifting Bracket Hook Set Screw.....
356C	22128	Rock Shaft Lifting Bracket Set Screw.....
2770	22128	Rock Shaft Stop Dog with 140219C.....
140219C	Rock Shaft Stop Dog Set Screw.....
139625	22128	Rock Shaft complete, Nos. 2768, 139633 and two 7539.....

MACHINE BASE

19219	22909	Bed Frame Cushion (leather) (4).....
158C	22909	Bed Frame Cushion Screw (8).....
19220	22909	Bed Frame Cushion Spring (4).....
19226	22909	Bed Frame Hinge Connection (2).....
19398	Bed Frame Hinge Connection 19226 with 211E and 19397 (2).....
19397	22909	Bed Frame Hinge Connection Cap (2).....
211E	22909	Bed Frame Hinge Connection Cap Screw (2).....
16555	22909	Bed Frame Hinge Plate (2).....
14010	22909	Bed Frame Hinge Plate Rivet (6).....
20067	22909	Bed Frame with two each 16555, 19398, four each 19219, 19220, six each 14010, wood screws 1 1/4 in. No. 12 and eight 158C.....

THREAD UNWINDER

(FOR TWO SPOOLS OR TWO LARGE CONES OF THREAD)

228692	23289	Spool Pin (2).....
201528X	23289	Spool Pin Nut (2).....
228693	23289	Spool Pin Washer (2).....
225257	23289	Spool Rest with 201018C and two each 201528X, 228692 and 228693.....
150203	23289	Spool Rest Cushion (felt) (2).....
225388	23289	Spool Rest Rod.....
200383C	23289	Spool Rest Rod Set Screw.....
201018C	23289	Spool Rest Set Screw.....
259658	23289	Spool Stand with 200383C.....
225391	23289	Thread Guide (2).....
201696J	23289	Thread Guide Lock Nut.....
225326	23289	Thread Guide Position Cup.....
225324	23289	Thread Guide Rod with 208AL and 225322.....
208AL	23289	Thread Guide Rod Screw.....
225322	23289	Thread Guide Rod Washer.....
225258	23289	Thread Unwinder complete, Nos. 201696J, 225257, 225324, 225326, 225388, 259658, two each 150203, 225391 and three wood screws 7/8 in. No. 12 F.H.....
27739	23289	Thread Cone (wood) for large cones.....
225390	23289	Thread Cone Holder, for inverted cones.....

NOTE: Nos. 27739 and 225390 are used with, but not included in 225258.

NUMERICAL LIST OF PARTS

No.	Plate	Name
35D	24053	Bobbin Winder Stop Latch Hinge Screw for 27647.....
76D	22121	Foot Lifter Lifting Lever Connecting Rod Joint Hinge Screw.....
76D	22121	Knee Lifter Lifting Lever Connecting Rod Joint Hinge Screw.....
144D	22120	Arm Shaft Screw.....
145E	22125	Shuttle Race Screw.....
157J	22121	Feed Lifting Rock Shaft Crank Clamping Screw for 12376.....
157R	22121	Feed Rock Shaft Crank Clamping Screw for 29633.....
158C	22909	Machine Base Bed Frame Cushion Screw for 20067.....
162D	22332	Belt Guard Extension Screw for 126365.....
175D	22123	Lifting Presser Bar Guide Bracket Support Screw.....
178E	22121	Foot Lifter Bell Crank Bracket Screw.....
178E	22121	Knee Lifter Bell Crank Bracket Screw.....
193D	22122	Lifting Presser Foot Screw.....
196J	22129	Finger Guard Holder Clamping Screw for 36820.....
199J	22123	Lifting Presser Bar Bell Crank Connecting Link Cap Screw for 44268.....
199J	22123	Lifting Presser Bar Guide Bracket Cap Screw for 44268.....
199J	22123	Vibrating Presser Bar Cap Screw for 44270.....
208AL	22122	Feed Dog Screw.....
208AL	23289	Thread Unwinder Thread Guide Rod Screw for 225324.....
211E	22909	Machine Base Bed Frame Hinge Connection Cap Screw for 19398.....
217J	22122	Vibrating Presser Foot Screw.....
219J	22119	Face Plate Screw.....
219J	22123	Vibrating Presser Bar Cap Screw for 19367.....
226J	22121	Oscillating Shaft Crank Slide Block Cap Screw for 19449.....
236J	22129	Finger Guard Screw for 120498 and 120860.....
248A	22120	Clamp Stop Motion Clamp Stop Screw for 3022.....
256J	22120	Clamp Stop Motion Clamp Screw for 3022.....
284D	22122	Guide Screw.....
307C	22121	Feed Lifting Rock Shaft Screw Center for 56814.....
307C	22121	Feed Rock Shaft Screw Center for 56814.....
313C	22121	Feed Bar Screw Center for 56813.....
335J	22123	Vibrating Presser Bar Spring Screw.....
356C	22128	Knee Lifter Rock Shaft Knee Arm Hub Set Screw for 2766.....
356C	22128	Knee Lifter Rock Shaft Knee Plate Set Screw for 2767.....
356C	22909	Foot Lifter Rock Shaft Lifting Bracket Hook Set Screw for 6337.....
356C	22128	Knee Lifter Rock Shaft Lifting Bracket Hook Set Screw for 6337.....
356C	22909	Foot Lifter Rock Shaft Lifting Bracket Set Screw for 6337.....
356C	22128	Knee Lifter Rock Shaft Lifting Bracket Set Screw for 6337.....
375C	22120	Feed Connecting Link Hinge Screw for 43993.....
375C	22120	Feed Forked Connection Hinge Screw.....
375C	22120	Feed Lifting Rock Shaft Crank Connecting Rod Hinge Screw.....
375C	22120	Lifting Presser Bar Bell Crank Driving Arm Eccentric Connection Hinge Screw.....
391J	22125	Shuttle Bobbin Case Position Plate Screw for 24419.....
418E	24053	Bobbin Winder Tension Screw Stud for 27308.....
435AL	Machine Pulley Set Screw for 56898.....
435AL	22124	Thread Take-up Lever Link Hinge Pin Set Screw.....
446AL	22120	Feed and Feed Lifting Eccentric Set Screw for 20283.....
448AL	22120	Arm Shaft Flanged Bushing (back) Set Screw.....
448AL	22121	Foot Lifter Lifting Lever Pin Set Screw for 20340.....
448AL	22121	Knee Lifter Lifting Lever Pin Set Screw for 20340.....
448AL	22120	Needle Bar Crank and Lifting Eccentric Set Screw for 19365.....
448AL	22120	Oscillating Rock Shaft Hinge Pin Set Screw.....

NUMERICAL LIST OF PARTS

No.	Plate	Name
448AL	22126	Thread Take-up Spring Regulator Set Screw.....
453AL	22123	Lifting Presser Bar Guide Bracket Set Screw for 24589.....
453AL	22124	Needle Bar Connecting Stud Set Screw for 12384.....
453AL	22121	Oscillating Shaft Crank Set Screw for 44135.....
462AL	22120	Clamp Stop Motion Flanged Bushing Set Screw for 4933.....
591F	22125	Shuttle Tension Regulating Screw.....
592E	22125	Shuttle Bobbin Case Latch Stop Screw for 62740.....
624AL	22126	Thread Retainer Set Screw.....
651D	22124	Needle Clamp Thread Guide Screw for 4803.....
688J	22123	Pressure Regulating Thumb Screw.....
689C	22123	Lifting Presser Bar Lifter Screw.....
690E	22120	Thread Take-up Crank Wedge Screw.....
691AL	22122	Throat Plate Screw.....
725J	22119	Shuttle Race Slide Spring Screw for 12432.....
743AL	22120	Needle Bar Crank and Lifting Eccentric Position Screw for 19365.....
748E	22119	Arm Screw (back).....
766E	22123	Foot Lifter Lifting Lever Link Hinge Screw.....
766E	22123	Knee Lifter Lifting Lever Link Hinge Screw.....
775E	22124	Thread Take-up Lever Cap Screw for 43990.....
794E	22124	Needle Bar Connecting Link Adjusting Screw for 12382.....
802D	22121	Foot Lifter Lifting Lever Hinge Screw.....
802D	22121	Knee Lifter Lifting Lever Hinge Screw.....
818W	22120	Feed Regulator Thumb Screw for 56886.....
854E	22119	Arm Screw (front).....
896AL	22120	Crank Connecting Rod Cap Screw for 20197.....
907D	22125	Shuttle Race Back Spring Screw for 24419.....
908C	22120	Crank Connecting Rod Hinge Screw.....
936E	22124	Needle Bar Screw Bushing.....
965D	22123	Lifting Presser Bar Bell Crank Driving Arm Shaft Bracket Screw.....
966E	22120	Feed Lifting Rock Shaft Crank Connecting Rod Cap Screw for 43976.....
988C	22121	Oscillating Shaft Crank Slide Block Screw Stud for 19449.....
1053E	22125	Shuttle Race Cap Screw for 62502.....
1266AL	22121	Shuttle Driver Set Screw for 12444.....
1480D	22332	Belt Guard Retaining Screw.....
1509E	22128	Knee Lifter Rock Shaft Knee Arm Lock Nut for 2765.....
1513J	22121	Feed Lifting Rock Shaft Screw Center Nut for 56814.....
1513J	22121	Feed Rock Shaft Screw Center Nut for 56814.....
1518J	22120	Feed Connecting Link Hinge Screw Nut for 43993.....
1518J	22120	Feed Forked Connection Hinge Screw Nut.....
1518J	22120	Feed Lifting Rock Shaft Crank Connecting Rod Hinge Screw Nut.....
1518J	22120	Lifting Presser Bar Bell Crank Driving Arm Eccentric Connection Hinge Screw Nut.....
1518E	22121	Oscillating Shaft Crank Slide Block Screw Stud Nut for 44135.....
1519J	22121	Feed Bar Screw Center Nut for 56813.....
1520J	22123	Lifting Presser Bar Lifter Screw Nut.....
1521J	22121	Foot Lifter Lifting Lever Connecting Rod Lock Nut.....
1521J	22121	Knee Lifter Lifting Lever Connecting Rod Lock Nut.....
1560C	22126	Tension Regulating Thumb Nut for 44141.....
1562J	22333	Bobbin Winder Tension Regulating Thumb Nut for 27308.....
1619E	22120	Crank Connecting Rod Hinge Screw Nut.....
1620J	24053	Bobbin Winder Frame Hinge Screw Nut for 27647.....
1813	22121	Feed Lifting Rock Shaft Crank Roller and Stud for 12376.....
1904	22124	Needle Bar Connecting Stud Roller (roller only) for 12384.....
2020	22120	Clamp Stop Motion Clamp Washer for 3022.....
2022	Clamp Stop Motion Flanged Bushing Pin.....
2049	22123	Lifting Presser Bar Bell Crank Driving Arm Pin for 19361.....
2102	22126	Tension Disc for 44118.....
2102	23253	Bobbin Winder Tension Disc for 225462.....

NUMERICAL LIST OF PARTS

No.	Plate	Name
2106	24053	Bobbin Winder Tension Thread Guide for 27308.....
2135	Machine Pulley (stand) heavy rim, 2½ in. pulley, for use with 3022.....
2455	24053	Bobbin Winder Tension Disc for 27308.....
2531	22125	Shuttle Race Back for 24419.....
2532	22125	Shuttle Race Back Position Pin for 62517.....
2533	22125	Shuttle Race Back Spring for 24419.....
2763	22909	Foot Lifter Rock Shaft for 4880.....
2763	22128	Knee Lifter Rock Shaft for 139633.....
2765	22128	Knee Lifter Rock Shaft Knee Arm with 1509E, for 2768.....
2766	22128	Knee Lifter Rock Shaft Knee Arm Hub with 356C, for 2768.....
2767	22128	Knee Lifter Rock Shaft Knee Plate with 356C, for 2768.....
2768	Knee Lifter Rock Shaft Knee Arm complete, for 139625, Nos. 2765, 2766 and 2767.....
2770	22909	Foot Lifter Rock Shaft Stop Dog with 140219C, for 4880.....
2770	22128	Knee Lifter Rock Shaft Stop Dog with 140219C, for 139633.....
2862	Machine Pulley (stand) heavy rim, 3 in. pulley, for use with 3022.....
2973	22125	Shuttle Bobbin Case Latch Lever for 15141.....
2974	22125	Shuttle Bobbin Case Latch Lever Fulcrum Pin for 15141.....
2975	22125	Shuttle Bobbin Case Latch Spring for 62740.....
2996	22125	Shuttle Bobbin for 19292.....
3022	22120	Clamp Stop Motion complete, Nos. 248A, 256J, 2020 and 4933.....
3023	NOTE:	No. 3022 is furnished only when specified on order.....
3039	22120	Clamp Stop Motion Flanged Bushing for 4933.....
3094	22120	Feed Regulator for 56886.....
4307	22119	Thread Take-up Crank Wedge.....
4784	Shuttle Race Slide Spring for 12432.....
4802	22124	Oscillating Rock Shaft Oil Pad for 24105.....
4803	22124	Needle Clamp Thread Guide for 4803.....
4855	22123	Needle Clamp complete, Nos. 651D, 4802, 13112 and 51323AL.....
4879	22909	Lifting Presser Bar Lifter.....
4880	22909	Foot Lifter Chain Connecting Link for 4885.....
4881	22909	Foot Lifter Rock Shaft complete, Nos. 2763, 2770, 7125, 12243 and two each 6337 and 12242.....
4882	22909	Foot Lifter Treadle for 4885.....
4883	22909	Foot Lifter Treadle Shaft for 4885.....
4884	22909	Foot Lifter Treadle Spring for 4885.....
4885	22909	Foot Lifter Treadle Stand for 4885.....
4933	22120	Foot Lifter Treadle complete, Nos. 4879, 4881, 4882, 4883, 4884 and two wood screws 1 in. No. 16.....
5596	22120	Clamp Stop Motion Flanged Bushing 3023 with two 462AL.....
5596	22121	Foot Lifter Bell Crank for 56848.....
5598	22121	Knee Lifter Bell Crank for 56848.....
5598	Foot Lifter Bell Crank complete, Nos. 5735 and 56848.....
5598	Knee Lifter Bell Crank complete, Nos. 5735 and 56848.....
5599	22121	Foot Lifter Bell Crank Bracket for 56848.....
5601	22121	Knee Lifter Bell Crank Bracket for 56848.....
5601	22121	Foot Lifter Bell Crank Hinge Pin for 56848.....
5670	22121	Knee Lifter Bell Crank Hinge Pin for 56848.....
5670	22909	Foot Lifter Chain, length 26 in. to 35 in., with 56864 and 56865.....
5735	NOTE:	When ordering No. 5670, state length required.....
5735	22121	Foot Lifter Bell Crank Spring for 5598.....
6337	22121	Knee Lifter Bell Crank Spring for 5598.....
6337	22909	Foot Lifter Rock Shaft Lifting Bracket with two 356C, for 4880.....
6337	22128	Foot Lifter Rock Shaft Lifting Bracket with two 356C, for 139633.....
7125	22909	Knee Lifter Rock Shaft Lifting Bracket with two 356C, for 139633.....
7125	22909	Foot Lifter Rock Shaft Lifting Bracket Hook for 4880.....

NUMERICAL LIST OF PARTS

No.	Plate	Name
7336	22126	Thread Take-up Spring Regulator for 44118.....
7539	22128	Knee Lifter Rock Shaft Hanger with two wood screws 1 in. No. 10 F.H., for 139625.....
8418	22343	Belt Guard Button for 8420.....
8419	22343	Belt Guard Button Washer (leather) for 8420.....
8420	Belt Guard Button 8418 with 8419 and wood screw 1-1/4 in. No. 9 R.H.B., for 41931.....
8582	22119	Arm Dowel Pin.....
8879	22119	Arm Spool Pin Washer (cloth).....
9331	22332	Belt Guard Extension Screw Washer for 126365.....
10141	24053	Bobbin Winder Tension Spring for 27308.....
11104	22120	Arm Shaft Bushing (front) for 20339.....
11119	22119	Arm Oil Tube (front of arm) with 52045, for oiling 12408 and 19365.....
11167	22123	Lifting Presser Bar Spring (light) .051 wire.....
		NOTE: No. 11167 is sent with this machine unless another spring is specified on order.
11170	22123	Lifting Presser Bar Spring Washer.....
11204	22124	Thread Take-up Lever Link Hinge Pin for 43990.....
11241	24053	Bobbin Winder Spool Pin Washer (cloth) for 27308.....
12139	Lifting Presser Bar Spring (medium) .055 wire.....
12149	22126	Tension Thread Guard.....
12150	Face Plate Thread Guard (lower) 44181 with 12152, for 19355.....
12152	22119	Face Plate Thread Guard (lower) Rivet for 12150.....
12166	22124	Thread Take-up Lever Hinge Pin for 12410.....
12193	22119	Arm Side Cover.....
12240	22121	Foot Lifter Lifting Lever Pin.....
12240	22121	Knee Lifter Lifting Lever Pin.....
12241	22123	Foot Lifter Lifting Lever Link.....
12241	22123	Knee Lifter Lifting Lever Link.....
12242	22909	Foot Lifter Rock Shaft Hanger with two wood screws 1 in. No. 10 F.H. for 4880.....
12243	22909	Foot Lifter Rock Shaft Lifting Bracket Hook for 4880.....
12327	22123	Lifting Presser Bar Lifting and Releasing Lever Bracket.....
12329	22126	Tension Releasing Lever Spring.....
12357	22120	Arm Shaft Flanged Bushing (back).....
*12360	Bed.....
12361	22127	Machine Hinge Connection (Attachments and Accessories).....
12368	22121	Feed Bar.....
12376	22121	Feed Lifting Rock Shaft Crank with 157J and 1813, for 44126.....
12379	22121	Feed Rock Shaft for 20333.....
12382	22124	Needle Bar Connecting Link with 794E, for 43997.....
12384	22124	Needle Bar Connecting Stud complete, for 43997, Nos. 453AL and 1904.....
12388	22120	Oscillating Rock Shaft Hinge Pin for 24105.....
12389	22121	Oscillating Shaft.....
12391	22123	Lifting Presser Bar (hollow).....
12393	22125	Shuttle Body for 19292.....
12394	Shuttle Driver for 12444.....
12398	22126	Tension Releasing Lever Hinge Pin.....
12404	22124	Thread Take-up Crank for 43990.....
12408	22124	Thread Take-up Lever for 12410.....
12409	22124	Thread Take-up Lever Link for 12410.....
12410	Thread Take-up Lever complete, for 43990, Nos. 12166, 12408 and 12409.....
12415	22121	Foot Lifter Lifting Lever Connecting Rod.....
12415	22121	Knee Lifter Lifting Lever Connecting Rod.....
12416	22121	Foot Lifter Lifting Lever Connecting Rod Joint.....
12416	22121	Knee Lifter Lifting Lever Connecting Rod Joint.....
12424	22121	Oscillating Shaft Crank Slide Block Cap Screw Washer for 19449.....

NUMERICAL LIST OF PARTS

No.	Plate	Name
12427	22120	Arm Shaft for 44121.....
12431	22119	Shuttle Race Slide for 12432.....
12432	22119	Shuttle Race Slide complete, Nos. 4307, 12431 and two 725J.....
12444	22121	Shuttle Driver 12394 with two 1266AL.....
12453	22119	Arm Oil Tube, for intermediate bearing.....
12454	22119	Arm Oil Tube with 132590, for oiling 12409.....
12481	22122	Feed Dog, 18 teeth (16 teeth to the inch).....
12482	22122	Throat Plate, large needle hole, for 12481.....
12483	22122	Throat Plate, small needle hole, for 12481.....
13112	22124	Needle Clamp Body for 4803.....
13710	23253	Bobbin Winder Tension Spring for 225462.....
14010	22909	Machine Base Bed Frame Hinge Plate Rivet for 20067.....
15072	24053	Bobbin Winder Bobbin Position Pin for 27538.....
15140	22125	Shuttle Bobbin Case Latch for 15141.....
15141	Shuttle Bobbin Case Hinge, for 62740, Nos. 2973, 2974 and 15140.....
15278	22125	Shuttle Tension Spring.....
16555	22909	Machine Base Bed Frame Hinge Plate for 20067.....
19219	22909	Machine Base Bed Frame Cushion (leather) for 20067.....
19220	22909	Machine Base Bed Frame Cushion Spring for 20067.....
19226	22909	Machine Base Bed Frame Hinge Connection for 19398.....
19229	22124	Needle Bar (hollow).....
19292	22125	Shuttle 1 11/16 in. diam., Nos. 2996, 12393 and 62740.....
19354	22119	Face Plate for 19355.....
19355	22119	Face Plate complete, Nos. 12150, 19354 and 139615.....
19356	22123	Lifting Presser Bar Bell Crank for 44268.....
19357	22123	Lifting Presser Bar Bell Crank Connecting Link for 44268.....
19358	22123	Lifting Presser Bar Bell Crank Driving Arm for 19361.....
19359	22123	Lifting Presser Bar Bell Crank Driving Arm Shaft for 19361.....
19360	22123	Lifting Presser Bar Bell Crank Driving Arm Shaft Bracket for 19361.....
19361	Lifting Presser Bar Bell Crank Driving Arm Shaft Bracket complete, Nos. 2049, 19358, 19359 and 19360.....
19362	22120	Lifting Presser Bar Bell Crank Driving Arm Eccentric Connection for 62637.....
19365	22120	Needle Bar Crank and Lifting Eccentric with 448AL and 743AL, for 62637.....
19367	22123	Vibrating Presser Bar Cap.....
19368	22123	Vibrating Presser Bar Cushion (rawhide).....
19369	22123	Vibrating Presser Bar Spring.....
19370	22122	Vibrating Presser Foot.....
19397	22909	Machine Base Bed Frame Hinge Connection Cap for 19398.....
19398	Machine Base Bed Frame Hinge Connection 19226 with 211E and 19397, for 20067.....
19448	22121	Oscillating Shaft Crank Slide Block for 19449.....
19449	Oscillating Shaft Crank Slide Block complete, for 44135, Nos. 2261, 988C, 12424 and 19448.....
20023	Lifting Presser Bar Spring (heavy) .063 wire.....
20067	22909	Machine Base Bed Frame with two each 16555, 19398, four each 19219, 19220, six each 14010, wood screws 1/4 in. No. 12 and eight 158C.....
20197	22120	Crank Connecting Rod with 125044 and two 896AL, for 44195.....
20283	22120	Feed and Feed Lifting Eccentric with 446AL, for 44121.....
20284	22120	Feed Forked Connection for 43993.....
20333	Feed Rock Shaft complete, Nos. 12379 and 29633.....
*20339	Arm with 11104.....
20340	22121	Foot Lifter Lifting Lever with 448AL.....
20340	22121	Knee Lifter Lifting Lever with 448AL.....
24104	22120	Oscillating Rock Shaft for 24105.....
24105	22120	Oscillating Rock Shaft complete, Nos. 4784, 12388 and 24104.....

NUMERICAL LIST OF PARTS

No.	Plate	Name
24131	22119	Arm Oil Tube with 52045, for oiling 20283.
24412	22125	Shuttle Bobbin Case Position Plate for 24419.
24413	22125	Shuttle Race Body for 62502.
24418	22125	Shuttle Race Cap for 62502.
24419	22125	Shuttle Race complete, Nos. 907D, 2531, 2533, 24412, 62517 and two 391J.
24589	22123	Lifting Presser Bar Guide Bracket with 453AL, for 44268.
24590	22123	Lifting Presser Bar Guide Bracket Support.
25866	22122	Guide.
26026	22127	Screw Driver (machine) Attachments and Accessories.
26485	22127	Screw Driver (shuttle tension) Attachments and Accessories.
27302	24053	Bobbin Winder Frame for 27647.
27303	24053	Bobbin Winder Frame Spring for 27647.
27306	24053	Bobbin Winder Spool Pin for 27308.
27307	24053	Bobbin Winder Spool Stand for 27308.
27308	24053	Bobbin Winder Spool Stand complete, for 27544, Nos. 418E, 1562J, 2106, 10141, 11241, 27306, 27307 and two each 2455 and wood screws 1 in. No. 10.
27312	24053	Bobbin Winder Stop Latch for 27647.
27538	24053	Bobbin Winder Spindle Collar with 15072 and 41828, for 27647.
27540	24053	Bobbin Winder Base for 27647.
27541	24053	Bobbin Winder Pulley for 27647.
27544	24053	Bobbin Winder (swinging automatic, right hand) complete, Nos. 27308 and 27647.
27647	24053	Bobbin Winder for 27544, Nos. 35D, 1620J, 27302, 27303, 27312, 27538, 27540, 27541, 50356D and two wood screws 1 in. No. 7.
27739	23289	Thread Unwinder Thread Cone (wood) for large cones.
		NOTE: No. 27739 is used with, but not included in 225258.
29633	22121	Feed Rock Shaft Crank with 157R, for 20333.
32572	22126	Tension Releasing Disc for 44118.
32574	22126	Tension Releasing Pin for 44118.
36818	22129	Finger Guard for 36821.
36819	22129	Finger Guard Friction Washer for 36821.
36820	22129	Finger Guard Holder with 196J, for 36821.
36821	22129	Finger Guard (metal) complete, Nos. 36818, 36819, 36820 and 50316J.
41400	22127	Machine Rest Pin (wood) 3-1/8 in. long (Attachments and Accessories).
41828	24053	Bobbin Winder Spindle Collar Pin for 27538.
41929	22343	Belt Guard for 41931.
41930	22343	Belt Guard Hinge for 41931.
41931	22343	Belt Guard complete, Nos. 8420, 41929, two 41930 and four wood screws 3/4 in. No. 9.
43944	22126	Tension Releasing Lever.
43945	22126	Tension Spring for 44118.
43946	22126	Thread Take-up Spring for 44118.
43976	22120	Feed Lifting Rock Shaft Crank Connecting Rod with 125044 and two 966E.
43990		Thread Take-up complete, Nos. 775E, 11204, 12404, 12410 and 43997.
43993		Feed Forked Connection complete, Nos. 20284, 52165, 56886 and two each 375C and 1518J.
43997		Needle Bar Connecting Link 12382 with 12384 for 43990.
44118	22126	Tension complete, Nos. 7336, 32572, 32574, 43945, 43946, 44141 and two 2102.
44121		Arm Shaft 12427 with 20283, 62637 and 127152, for 44195.
44125	22121	Feed Lifting Rock Shaft for 44126.
44126		Feed Lifting Rock Shaft complete, Nos. 12376 and 44125.
44134	22121	Oscillating Shaft Crank for 44135.
44135		Oscillating Shaft Crank complete, Nos. 1518E, 19449, 44134 and two 453AL.

NUMERICAL LIST OF PARTS

No.	Plate	Name
44141		Tension Screw Stud 50327C with 1560C, for 44118.
44181	22119	Face Plate Thread Guard (lower) for 12150.
44195		Arm Shaft 44121 with 20197.
44268		Lifting Presser Bar Guide Bracket complete, Nos. 19356, 19357, 24589, 44270 and three 199J.
44269	22122	Lifting Presser Foot.
44270	22123	Vibrating Presser Bar for 44268.
45874	22119	Face Plate Thread Guard (upper) for 139615.
50302J	22129	Finger Guard Holder Set Screw for 120497 and 120858.
50316J	22129	Finger Guard Hinge Screw for 36821.
50327C	22126	Tension Screw Stud for 44141.
50356D	24053	Bobbin Winder Frame Hinge Screw for 27647.
50551J	22332	Belt Guard Set Screw for 126365.
51224W	22119	Arm Side Cover Thumb Screw.
51323AL	22124	Needle Clamp Screw for 4803.
52045	22119	Arm Oil Tube Packing (braided cotton) for 11119 and 24131.
52165	22120	Feed Connecting Link for 43993.
52239	22119	Arm Spool Pin and Thread Eyelet.
52454	22126	Thread Retainer.
56813		Feed Bar Screw Center 313C with 1519J.
56814		Feed Lifting Rock Shaft Screw Center 307C with 1513J.
56814		Feed Rock Shaft Screw Center 307C with 1513J.
56848		Foot Lifter Bell Crank 5596 with 5599 and 5601, for 5598.
56848		Knee Lifter Bell Crank 5596 with 5599 and 5601, for 5598.
56864	22909	Foot Lifter Chain Hook (large) for 5670.
56865	22909	Foot Lifter Chain Hook (small) for 5670.
56886		Feed Regulator 3039 with 818W, for 43993.
56898		Machine Pulley (stand) heavy rim, "V" belt groove (outside diam., of belt groove 2.9 in.) with two 435AL.
62502		Shuttle Race Body 24413 with 24418 and two 1053E, for 62517.
62517		Shuttle Race Body 62502 with two 2532, for 24419.
62637		Lifting Presser Bar Bell Crank Driving Arm Eccentric Connection 19362 with 19365, for 44121.
62740	22125	Shuttle Bobbin Case, for 19292, Nos. 592E, 2975 and 15141.
120342	22127	Oiler (copper plated) with 120343 (Attachments and Accessories).
120343	22127	Oiler Spout, 3-1/2 in. long, for 120342.
120496		Finger Guard for 120498.
120497		Finger Guard Holder with 50302J, for 120498.
120498		Finger Guard (metal) complete, Nos. 236J, 120496 and 120497.
120857	22129	Finger Guard for 120860.
120858	22129	Finger Guard Holder with 50302J, for 120860.
120860	22129	Finger Guard (wire) complete, Nos. 120857, 120858 and two 236J.
125044	22120	Crank Connecting Rod Oil Pad (felt) for 20197.
125044	22120	Feed Lifting Rock Shaft Crank Connecting Rod Oil Pad (felt) for 43976.
125424	22119	Face Plate Thread Guard (upper) Rivet for 139615.
126356	22332	Belt Guard for 126365.
126363	22332	Belt Guard Bracket for 126365.
126364	22332	Belt Guard Extension for 126365.
126365	22332	Belt Guard (adjustable) complete, for Bench Stand, Nos. 162D, 1480D, 9331, 50551J, 126356, 126363, 126364 and two wood screws 1 in. No. 10.
127152	22120	Feed and Feed Lifting Eccentric Sleeve for 44121.
132590	22119	Arm Oil Tube Oil Pad (wick) for 12454.
139603	22120	Feed Regulator Hinge Screw Friction Washer.
139615		Face Plate Thread Guard (upper) 45874 and 125424, for 19355.

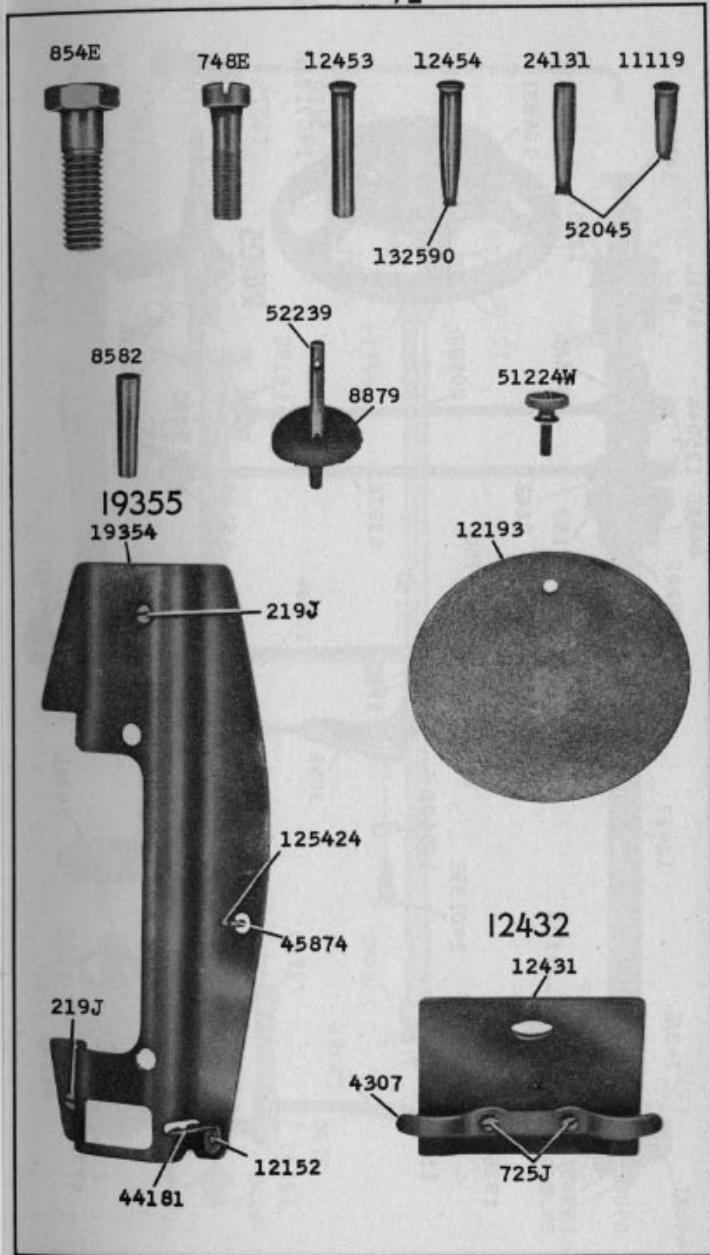
No.	Plate	Name
139623	22128	Knee Lifter Rock Shaft Lifting Bracket Hook for 139633.....
139625	22128	Knee Lifter Rock Shaft complete, Nos. 2768, 139633 and two 7539.....
139631	22120	Machine Pulley (power) light rim, "V" belt groove (outside diam. of belt groove 2.9 in.) with two 140713AL.....
139633	NOTE: No. 139631 is regularly furnished with the machine. Knee Lifter Rock Shaft 2763 with 2770, 6337 and 139623, for 139625.....
139637	Drip Pan with four 1 in. wire nails, for power table.....
140139E	22120	Feed Regulator Hinge Screw.....
140219C	22909	Foot Lifter Rock Shaft Stop Dog Set Screw for 2770.....
140219C	Knee Lifter Rock Shaft Stop Dog Set Screw for 2770.....
140713AL	22120	Machine Pulley Set Screw for 139631.....
150203	23289	Thread Unwinder Spool Rest Cushion (felt) for 225258.....
200056E	23253	Bobbin Winder Stop Latch Screw for 259431 and 259462.....
200082D	23253	Bobbin Winder Tension Bracket Screw for 259431 and 259462.....
200113F	23253	Bobbin Winder Brake Clamp Screw for 259431 and 259462.....
200299B	23253	Bobbin Winder Stop Latch Trip Lever Hinge Screw for 259431 and 259462.....
200380C	23253	Bobbin Winder Pulley Set Screw for 225368 and 259461.....
200383C	23289	Thread Unwinder Spool Rest Rod Set Screw for 259658.....
201018C	23289	Thread Unwinder Spool Rest Set Screw for 225257.....
201499B	23253	Bobbin Winder Tension Stud for 225461.....
201528X	23289	Thread Unwinder Spool Pin Nut for 225257.....
201572B	23253	Bobbin Winder Tension Stud Thumb Nut for 225462.....
201696J	23289	Thread Unwinder Thread Guide Lock Nut for 225258.....
202277	23253	Bobbin Winder Frame Oil Packing (wick) for 225453.....
202478	23253	Bobbin Winder Stop Latch Trip Lever for 259431 and 259462.....
225257	23289	Thread Unwinder Spool Rest with 201018C and two each 201528X, 228692 and 228693, for 225258.....
225258	23289	Thread Unwinder complete, Nos. 201696J, 225257, 225324, 225326, 225388, 259658, two each 150203, 225391 and three wood screws 3/8 in. No. 12 F.H.....
225322	23289	Thread Unwinder Thread Guide Rod Washer for 225324.....
225324	23289	Thread Unwinder Thread Guide Rod with 208AL and 225322, for 225258.....
225326	23289	Thread Unwinder Thread Guide Position Cup for 225258.....
225368	23253	Bobbin Winder Pulley with 200380C, for 259431.....
225381	23253	Bobbin Winder Spindle for 259431 and 259462.....
225388	23289	Thread Unwinder Spool Rest Rod for 225258.....
225390	23289	Thread Unwinder Thread Cone Holder, for inverted cones. NOTE: No. 225390 is used with, but not included in 225258.....
225391	23289	Thread Unwinder Thread Guide for 225258.....
225444	23253	Bobbin Winder Stop Latch for 259431 and 259462.....
225453	23253	Bobbin Winder Frame with 202277 and 259660, for 259431 and 259462.....
225454	23253	Bobbin Winder Frame Hinge Pin for 259431 and 259462.....
225455	23253	Bobbin Winder Frame Spring for 259431 and 259462.....
225456	23253	Bobbin Winder Frame Spring Plunger for 259431 and 259462.....
225458	23253	Bobbin Winder Stop Latch Thumb Lever for 259431 and 259462.....
225459	23253	Bobbin Winder Stop Latch Thumb Lever Hinge Stud for 259431 and 259462.....
225459	23253	Bobbin Winder Stop Latch Thumb Lever Joint Stud for 259431 and 259462.....
225461	23253	Bobbin Winder Tension Bracket with 201499B, for 225462.....

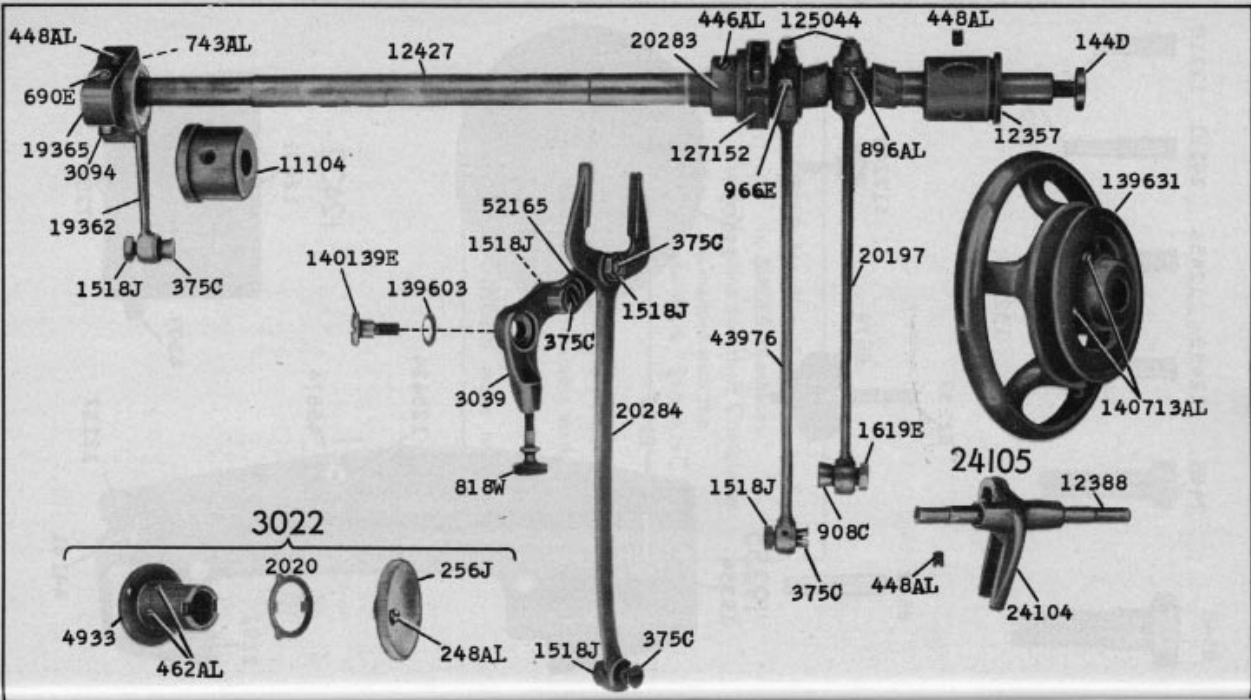
No.	Plate	Name
225462	23253	Bobbin Winder Tension Bracket complete, for 259431 and 259462, Nos. 13710, 201572B, 225461 and two 2102.....
228026	23253	Bobbin Winder Tension Bracket Screw Washer for 259431 and 259462.....
228692	23289	Thread Unwinder Spool Pin for 225257.....
228693	23289	Thread Unwinder Spool Pin Washer for 225257.....
259428	23253	Bobbin Winder Brake (leather) for 259431 and 259462.....
259429	23253	Bobbin Winder Brake Clamp for 259431 and 259462.....
259430	23253	Bobbin Winder and Tension Bracket Base for 259431.....
259431	23253	Bobbin Winder complete, Nos. 200056E, 200082D, 200113F, 200299B, 202478, 225368, 225381, 225444, 225453, 225454, 225455, 225456, 225458, 225462, 228026, 259428, 259429, 259430 and two each 225459 and wood screws 3/4 in. No. 12 R.H.B.....
259461	23253	Bobbin Winder Pulley with 200380C, for 259462.....
259462	23253	Bobbin Winder complete, for "V" belt, Nos. 200056E, 200082D, 200113F, 200299B, 202478, 225381, 225444, 225453, 225454, 225455, 225456, 225458, 225462, 228026, 259428, 259429, 259461, 259662 and two each 225459 and wood screws 3/4 in. No. 12 R.H.....
259658	23289	Thread Unwinder Spool Stand with 200383C, for 225258.....
259660	23253	Bobbin Winder Frame Oil Well Washer for 225453.....
259662	23253	Bobbin Winder and Tension Bracket Base for 259462.....

SINGER Needles should be used
 in SINGER Machines
 These Needles and their Containers
 are marked with the
 Company's Trade Mark "SIMANCO.**" 1

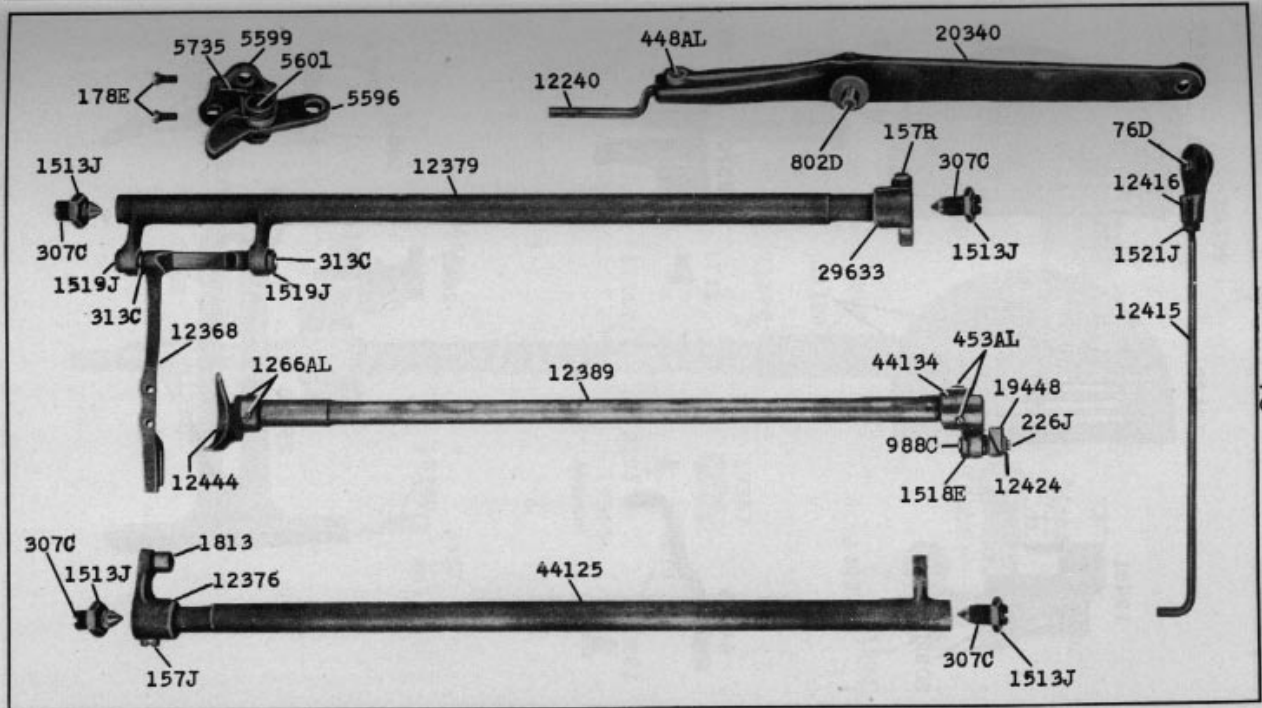
Needles in Containers marked
 "FOR SINGER MACHINES"
 are NOT SINGER made needles. 2

22119.1/2



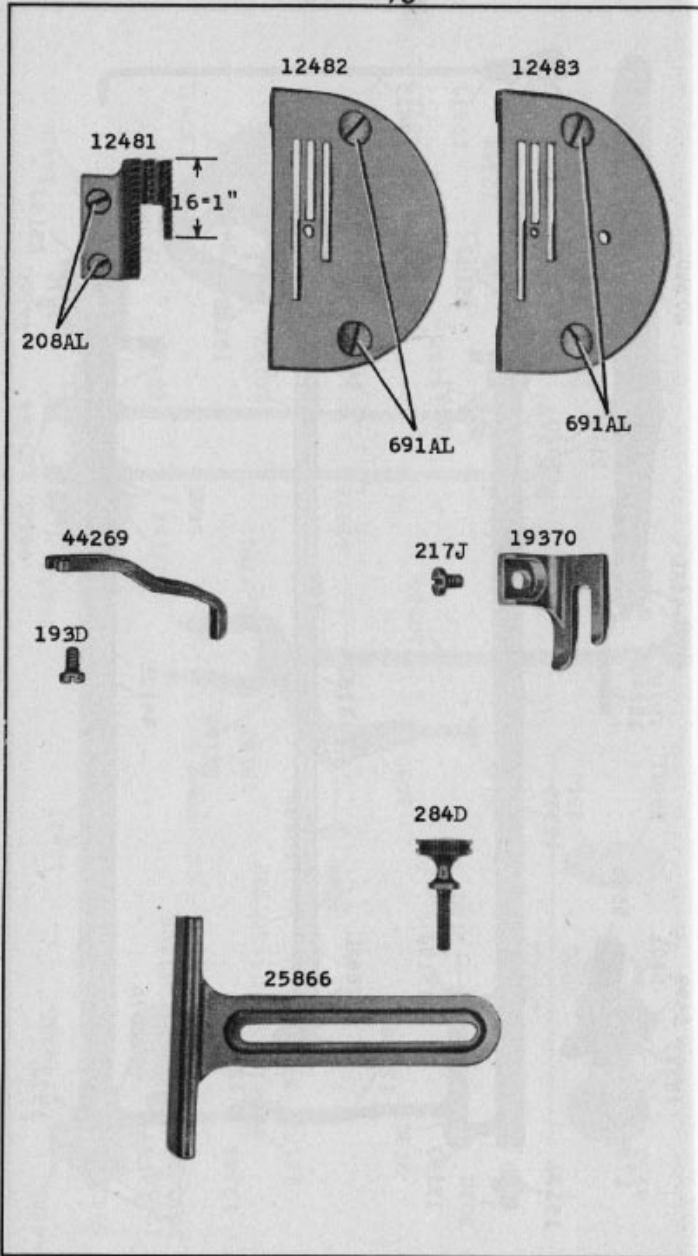


22120-1/3

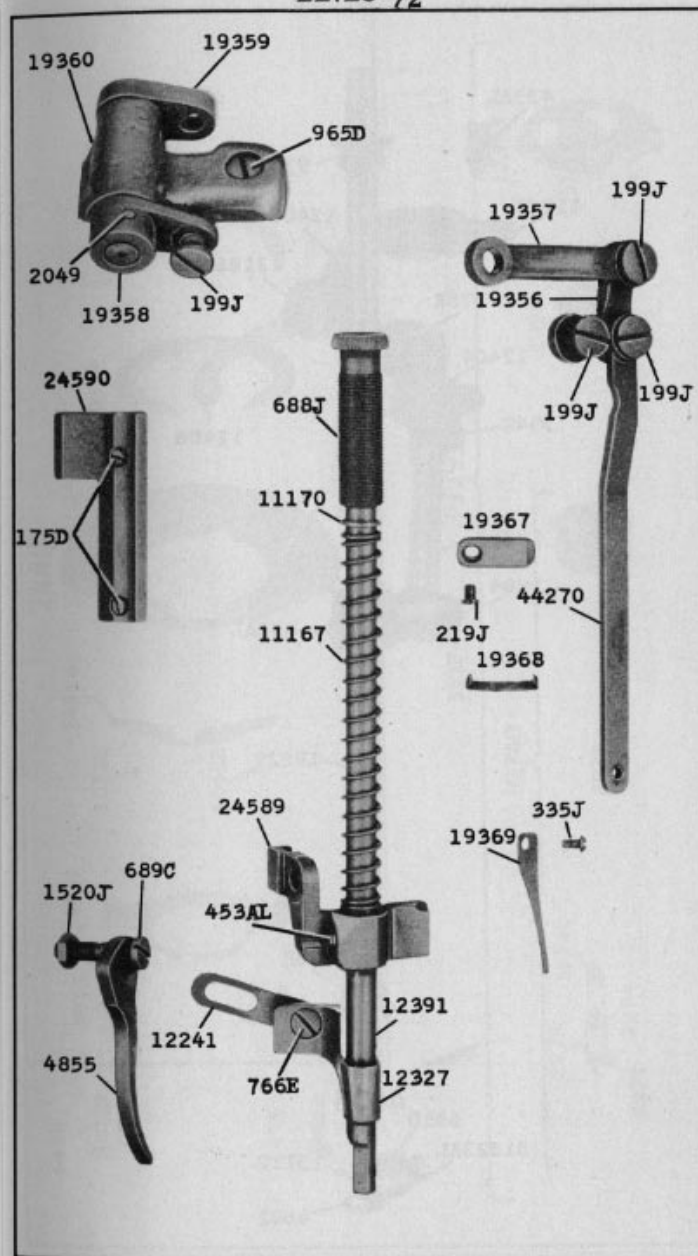


22121-1/3

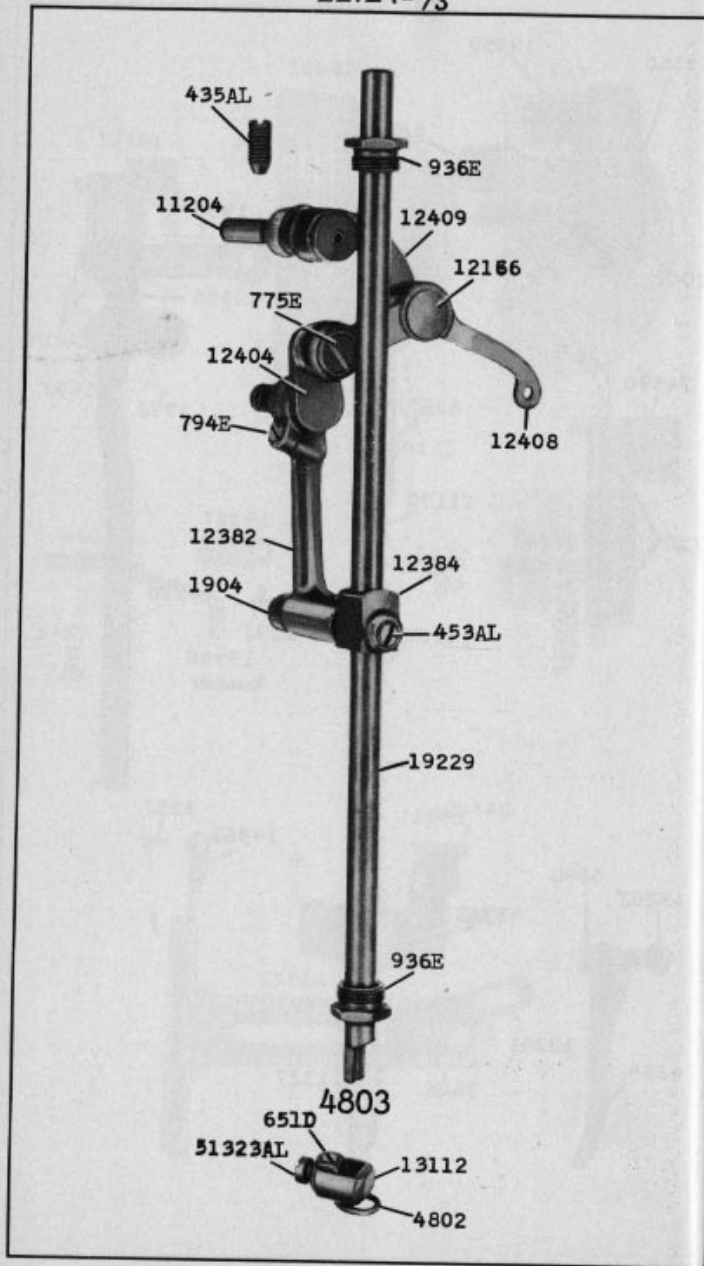
22122-2/3



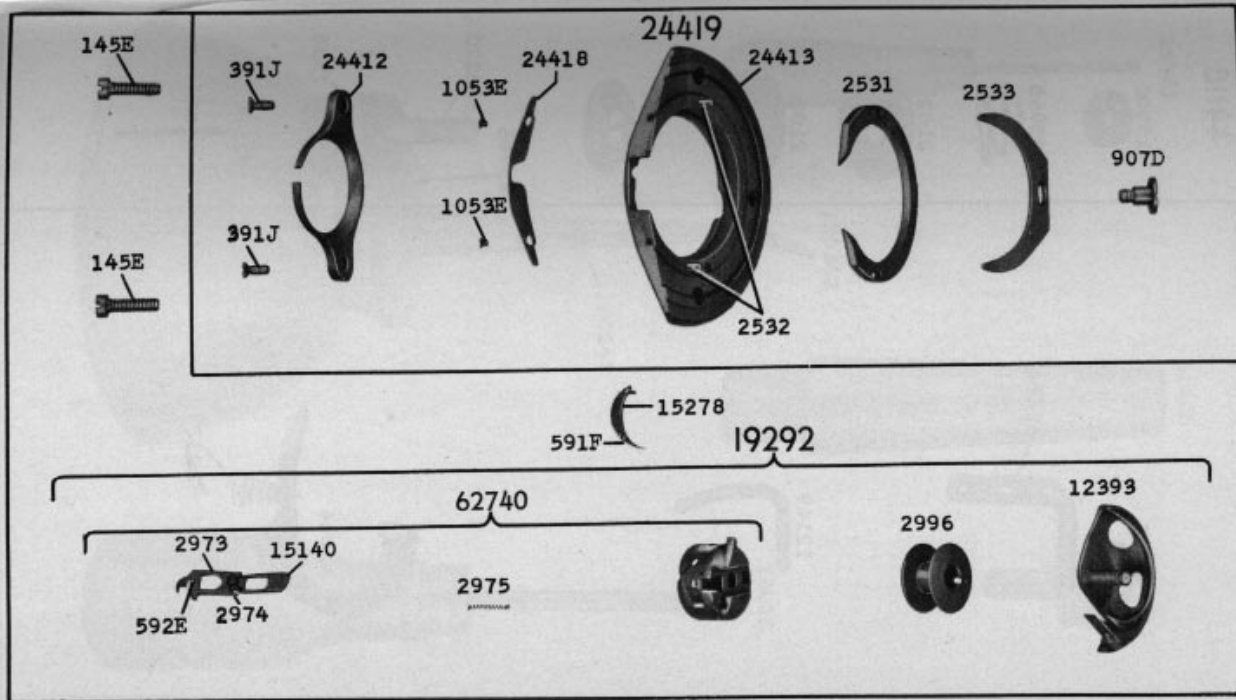
22123-1/2



22124-2/3

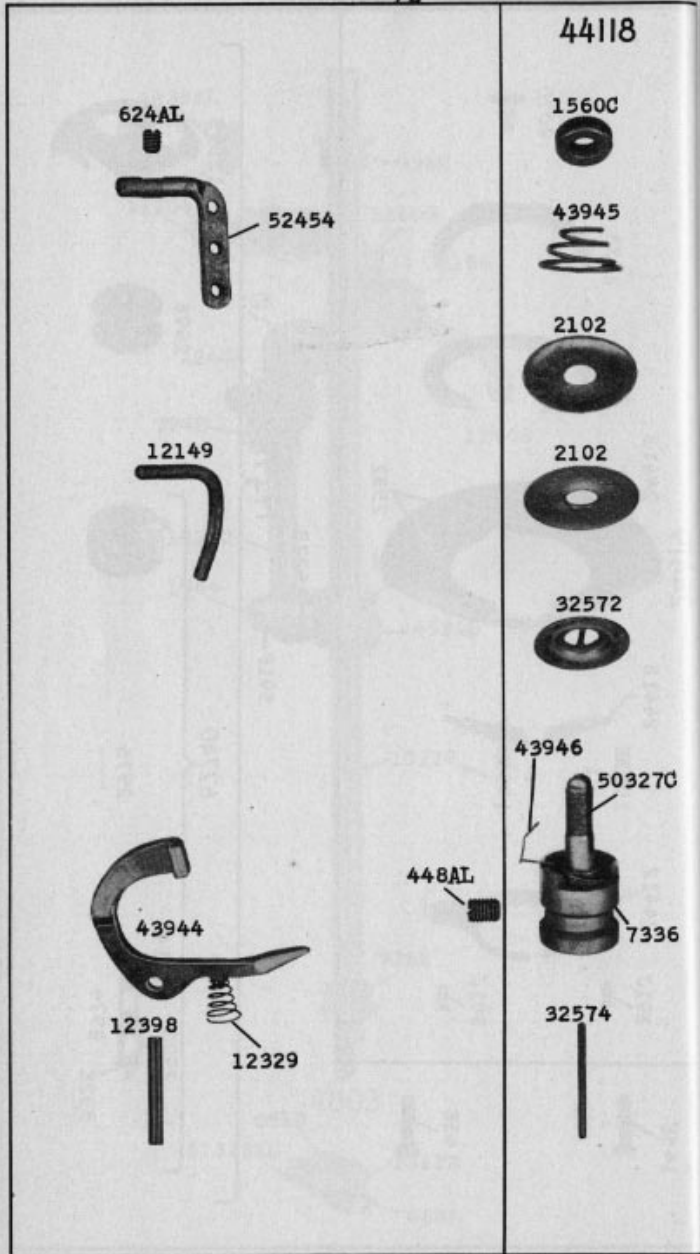


From the library of: Diamond Needle Corp

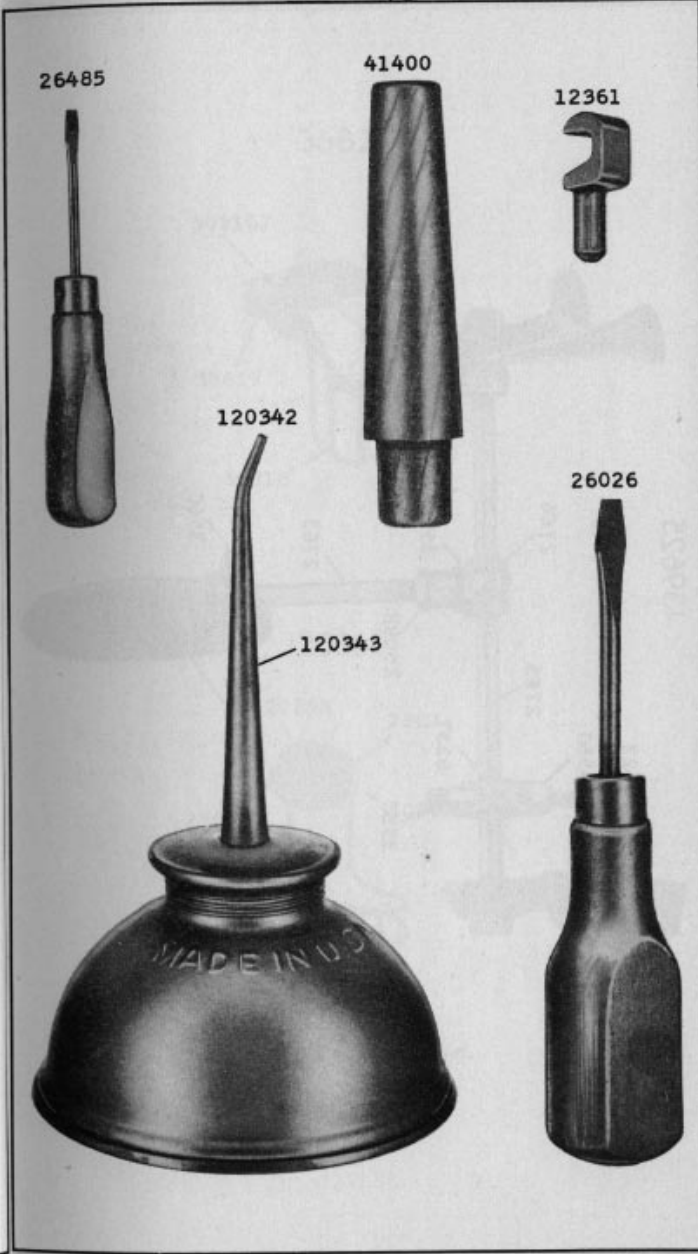


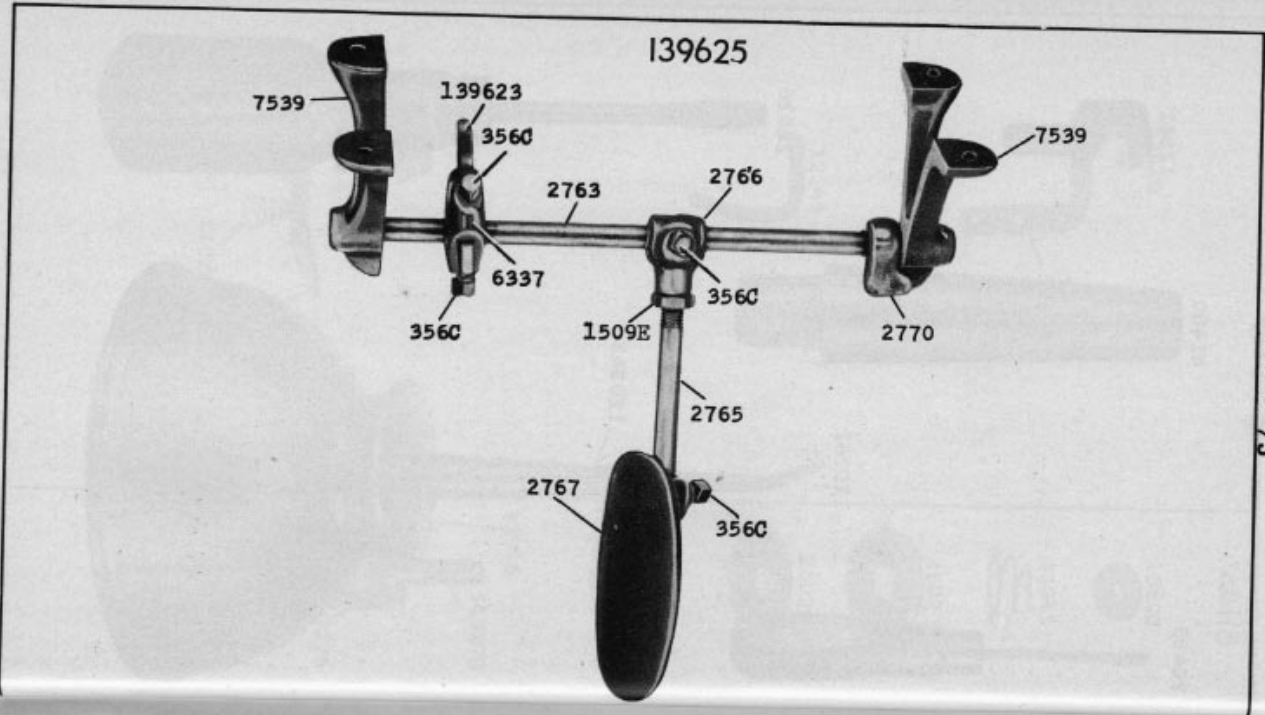
22125-1/2

22126-2/3



22127-2/3

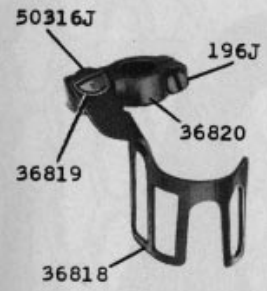




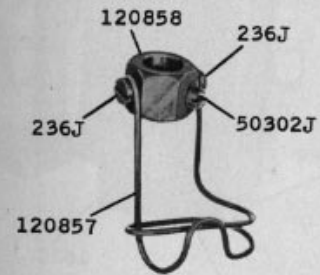
22128-1/3

22129-2/3

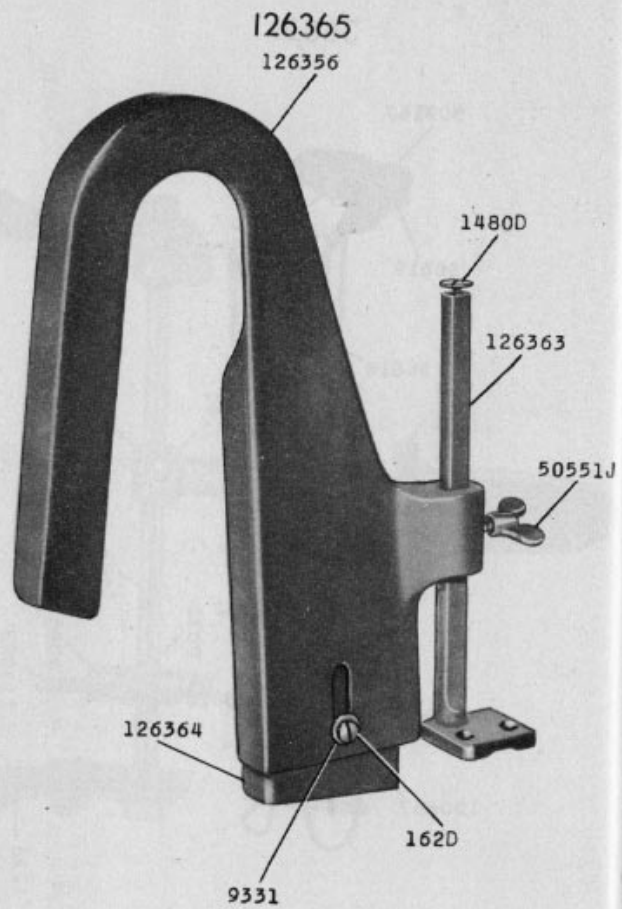
36821



120860

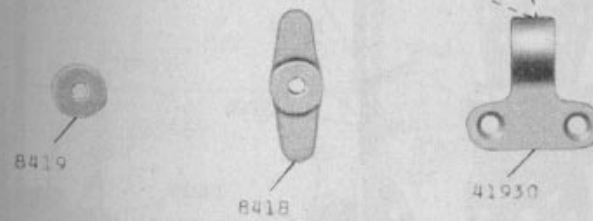
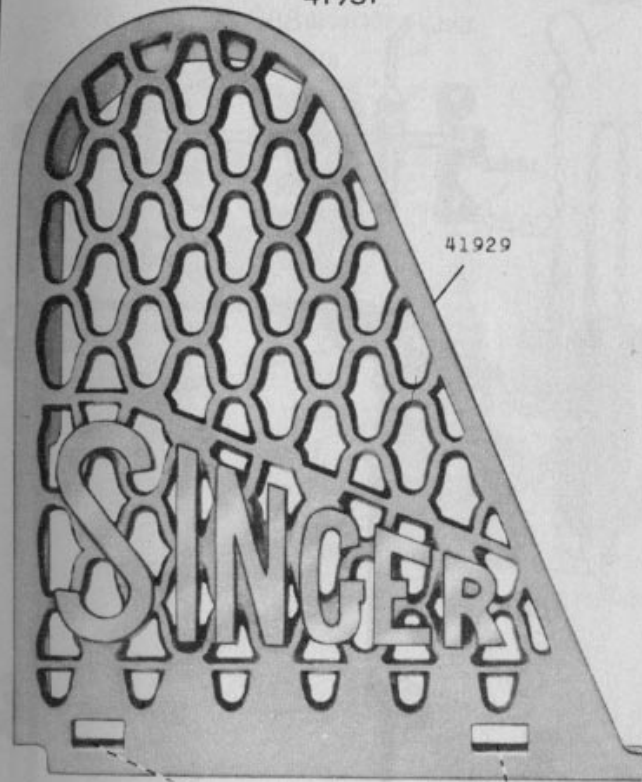


22332 - 1/3

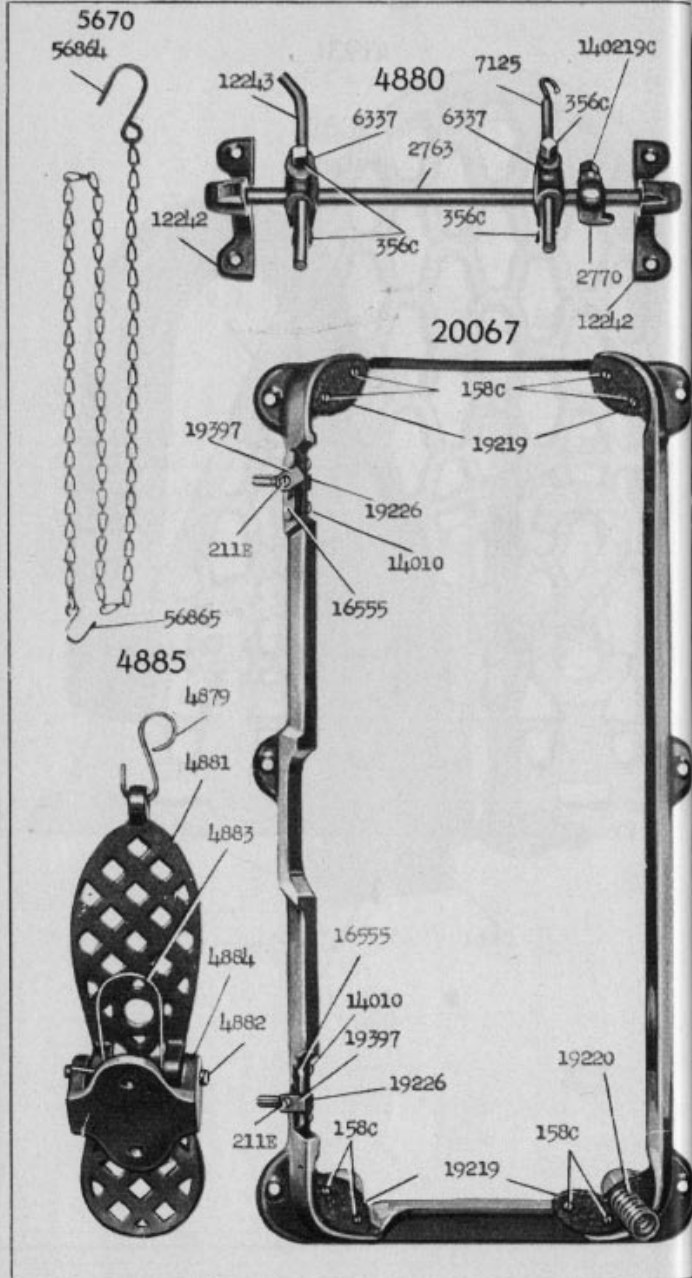


22343 - 1/2

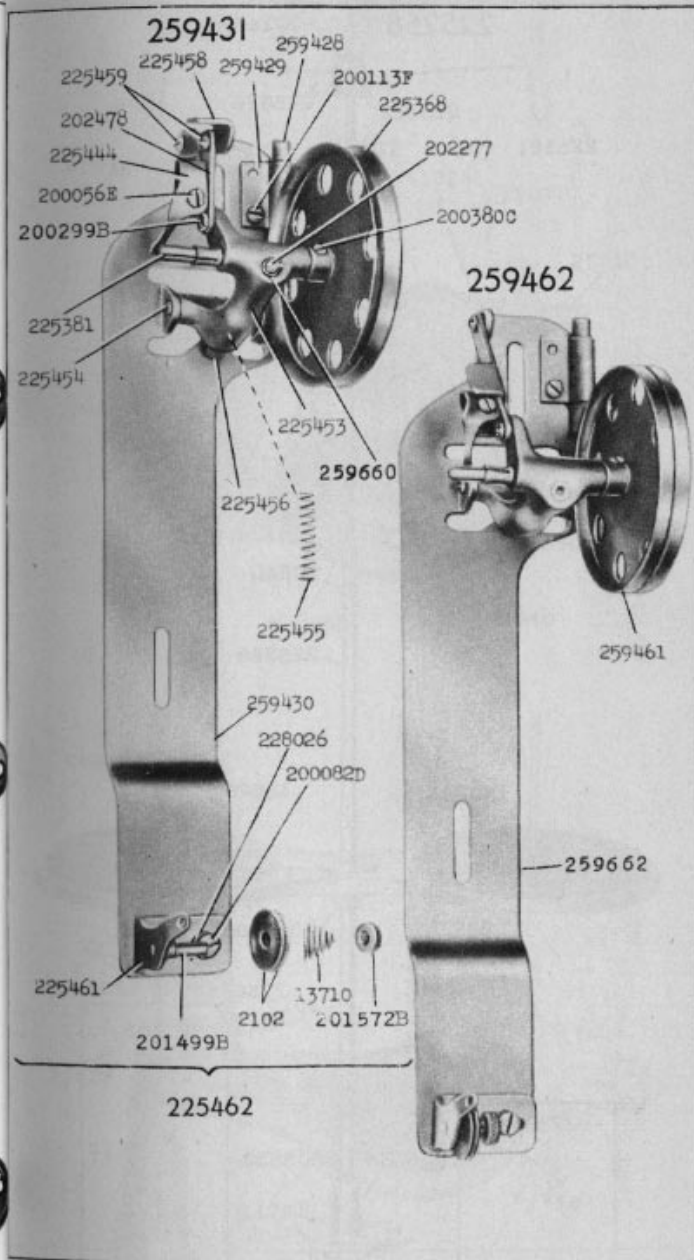
41931



22909 - 1/4

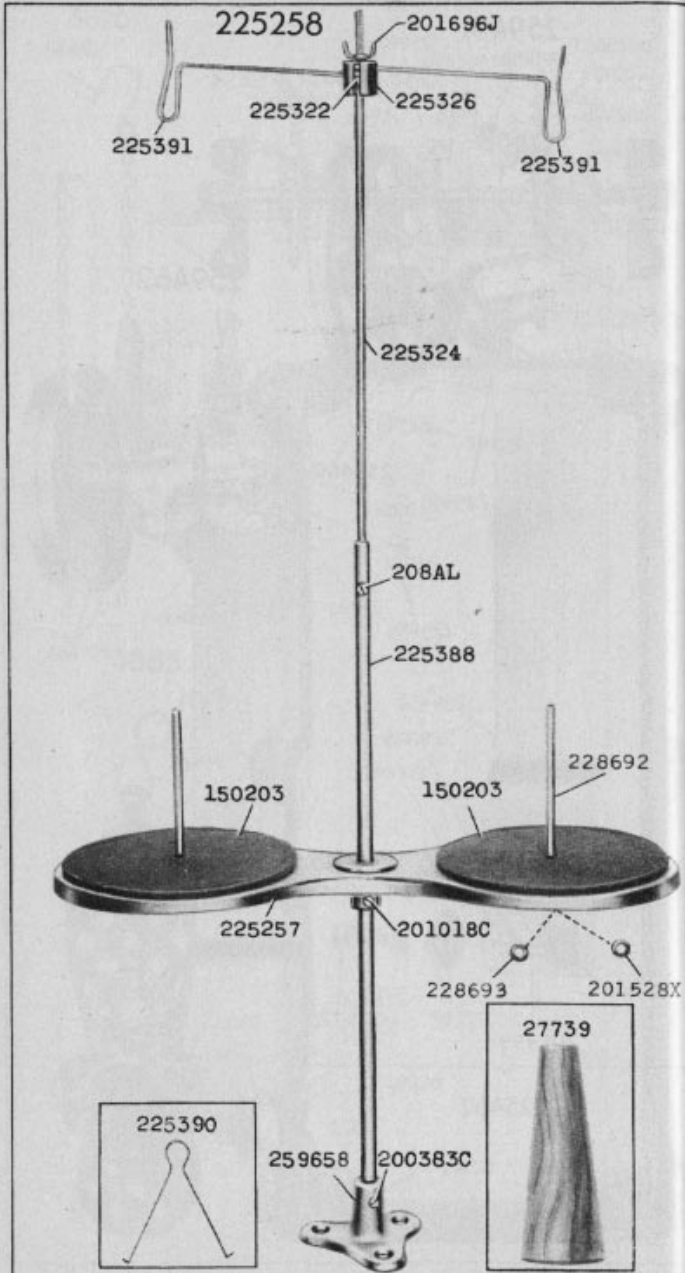


23253 - 3/8

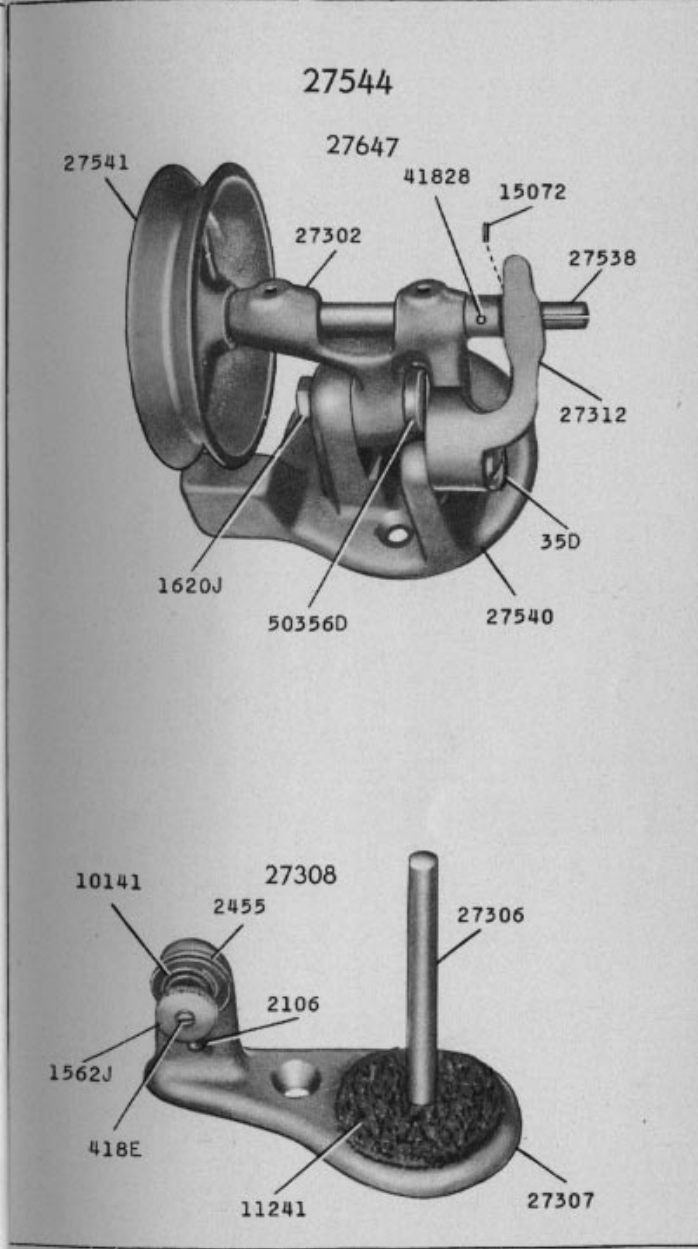


From the library of: Diamond Needle Corp

23289 - 1/4



24053 - 2/3



From the library of: Diamond Needle Corp